

# COOL WHITE 90<sup>®</sup> LED LUMINAIRE BY CREE<sup>®</sup>

## FORMETCO

POWERED BY **AdTech**



10 Year

14,550

26 lbs

DLC

Manufacturer's  
Limited Warranty

Lumen  
Output

Total  
Weight

Approved for  
Utility Rebates



14' x 48'  
3 Fixtures



10'6" x 36'  
2 Fixtures



Poster  
1 Fixture

## The Industry's Best-Selling LED Luminaire

### Features and Benefits:

- Lumen Output 14,550
- 70% Power Savings Over 400 Watt Metal Halide Luminaires
- 10 Year Limited Warranty
- Easy Retrofit Installation
- Super White Light Provides Superior Display Clarity
- Color Rendering Index (CRI) 90 (Daylight is 100)
- Cast Aluminum Housing for Exceptional Durability

*"They are the brightest lights around.  
They outshine the competition!"*

– Mark Saben, Saben Outdoor



Watch Our Video on  
Formetco Cool White  
90 LED Luminaire Installation



P5KG84PWW

www.formetco.com • (800) 367-6382

# COOL WHITE 90<sup>®</sup> LED LUMINAIRE BY CREE

The Cool White 90 luminaires manufactured by CREE take billboard lighting to a new level of brightness, and can deliver as much as 70% energy savings. These lights produce a near daylight white, and come with a 10 year limited warranty.

Product Code FIXLEDCREECW90

## COOL WHITE 90 LED LUMINAIRE INSTALLATION

READ AND FOLLOW ALL SAFETY INSTRUCTIONS

**DANGER – Risk of shock. Disconnect power before installation.**

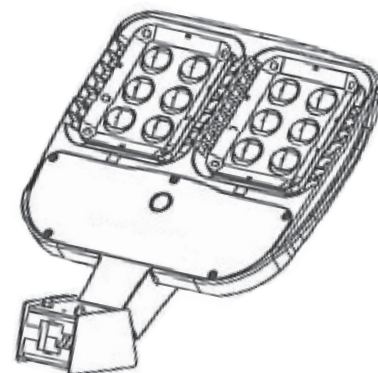
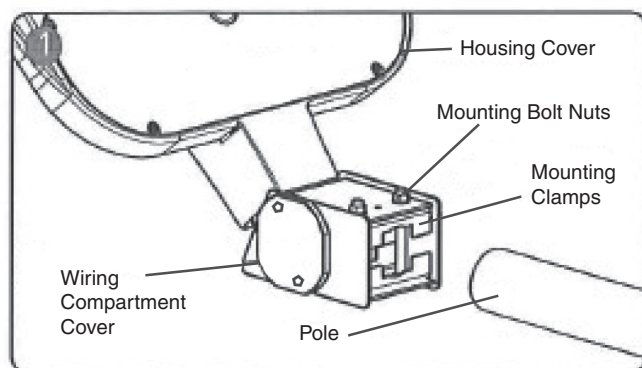


FIGURE 1



### STANDARD MOUNTING

**STEP 1:** Remove the wiring compartment cover by using a Philips screwdriver to remove (2) screws and set aside to re-install later. See **Figure 1**.

**STEP 2:** Locate the electrical cord. To ensure that the cord is clear of the mounting clamps, pull the cord through the wiring compartment access hole. See **Figure 1**.

**STEP 3:** Slide the luminaire onto the pole through the opening on the mounting clamps. Ensure that the pole is inserted all the way into the gasket in the mount. See **Figures 1 and 2**.

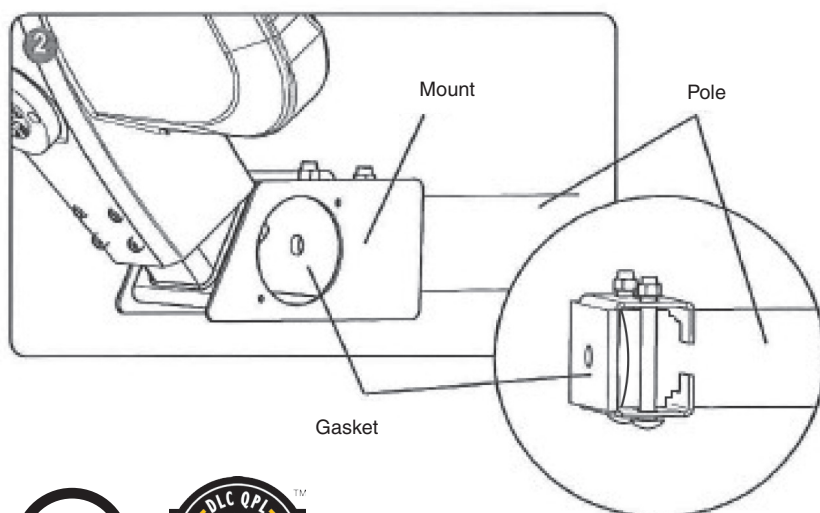
**STEP 4:** If mounting onto a round pipe, ensure that the luminaire is level from side to side.

**STEP 5:** Locate the (2) mounting bolt nuts on the luminaire, and using a 9/16" socket, tighten the bolt nuts to 240in-lb (27 NM) See **Figure 1**.

**STEP 6:** Make wiring connections referencing the Electrical Connections section.

**STEP 7:** Replace the wiring compartment cover that was removed in Step 1 by using a Philips screwdriver to tighten the (2) screws to 10 in-lb (1.1 NM). Ensure that no wires are pinched.

FIGURE 2



P5KG84PWW

**FORMETCO**

POWERED BY **AdTech**