

POSTER PANELS

POST PAPER OR INSERT VINYL FROM THE FRONT CATWALK

ASSEMBLY INSTRUCTIONS



Excellence is our standard.

Formetco Poster Panel

- *Formetco Longlife G-165 Poster panel Sections have the heaviest coating in the industry*
- *Unitized Poster faces for fast, easy assembly and installation*
- *Several Trim Packages to choose from*
- *New Face Sections for installation over old wood or metal sections*

Table of Contents

Longlife G-165 Poster Panel Sections	3
Formetco Unitized Poster Panel Assembly	4 - 5
Formetco Unitized Poster Panel Hardware	6 - 7
FX-300U Poster Panel	8 - 14
FX-300U Tension Bracket Layout	9
FX-300U Trim Bracket Layout	10
FX-300U Trim Instructions	11
FX-300U Vinyl Installation	12 - 14
FX-300 Poster Panel	15 - 16
FX-300 Trim Installation	16
Streamline Poster Panel	17 - 18
Streamline Poster Panel Assembly and Trim Installation	18
FX-6 Poster Panel	19 - 27
FX-6 Assembly	20
FX-6 T/S & B/S Bracket Spacing	21
T/S Brackets	22 - 23
B/S Brackets	24 - 25
FX6 Vinyl Installation	26
T/S & B/S Side Brackets Back Screw	27
FX-6 Retrofit Kits	28
FX-6U Poster Panel	29 - 31
FX-6U Track & Tension Bracket Installation	29
FX-6U Trim Installation	30
FX-6U Vinyl Installation	30 - 31
New Face Sections	32 - 33

Formetco Poster Panel

LONGLIFE G-165 POSTER PANEL SECTIONS

Formetco Longlife G-165 Poster Panel Sections have the heaviest coating produced for the Outdoor Advertising Industry. The 2 ounce bonded zinc coating gives you a longer life from your poster panel sections.

Galvanized coatings under atmospheric exposure have been closely examined in tests conducted throughout the world and their performance in a specific environment can be predicted within reasonable limits.

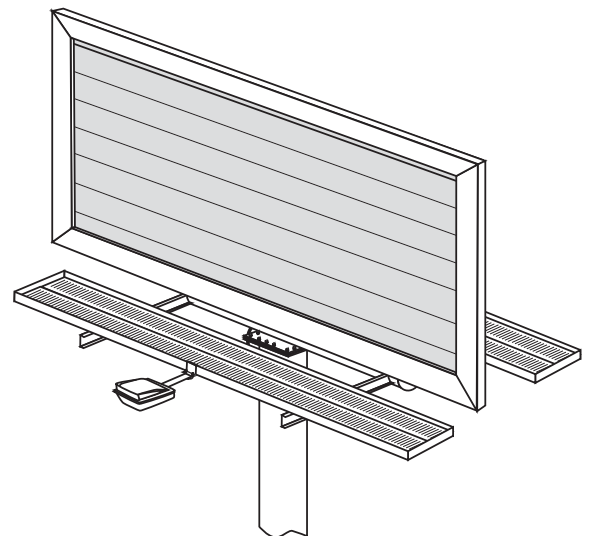
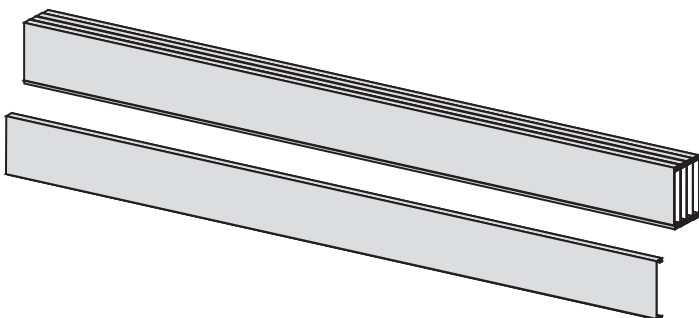
Most all environments in which galvanized coatings are exposed contain contaminants. Combined with the frequency and duration of moisture (fog, dew, rain, snow) these contaminants are the primary factors that determine the rate at which galvanized coatings are consumed.

Various atmospheric conditions are categorized as heavy industrial; moderate industrial (urban); suburban; rural; and marine. Within these broad classifications, corrosiveness differs at different locations in a single category.

FORMETCO is the only supplier fabricating steel sections with G-165, 2 oz., coating for the Outdoor Advertising Industry. No other supplier has made this commitment to quality and service.

Comparative Rankings of Zinc Losses in 38 locations

Location	Zinc
1 Norman Wells, N.W.T., Canada	0.07
2 Phoenix, AZ	0.13
3 Saskatoon, Sask., Canada	0.13
4 Esquimalt, Vancouver Island, Canada	0.21
5 Fort Amidor Pier, Panama, C.Z.	0.28
6 Ottawa, Ontario, Canada	0.49
7 Miraflores, Panama, C.Z.	0.50
8 Cape Kennedy, 1 mile from ocean	0.50
9 State College, PA	0.51
10 Morenci, MI	0.53
11 Middleton, OH	0.54
12 Potter County, PA	0.55
13 Bethlehem, PA	0.57
14 Detroit, MI	0.58
15 Point Reyes, CA	0.67
16 Trail, B.C., Canada	0.70
17 Durham, NH	0.70
18 Halifax (York Redoubt), N.S.	0.70
19 South Bend, PA	0.78
20 East Chicago, IN	0.79
21 Brazos River, TX	0.81
22 Monroeville, PA	0.84
23 Daytona Beach, FL	0.88
24 Kure Beach, NC 800' lot	0.89
25 Columbus, OH	0.95
26 Montreal, Quebec, Canada	1.05
27 Pittsburgh, PA	1.04
28 Waterbury, CT	1.12
29 Limon Bay, Panama, C.Z.	1.17
30 Cleveland, OH	1.21
31 Newark, NJ	1.63
32 Cape Kennedy, 60 yds from ocean, 30' Elev	1.77
33 Cape Kennedy, 60 yds from ocean, Ground Level	1.83
34 Cape Kennedy, 60 yrs from ocean, 60' Elev	1.94
35 Bayonne, NJ	2.11
36 Kure Beach, NC 80 foot lot	2.80
37 Halifax (Federal Building), N.S.	3.27
38 Galata Point Beach, Panama, C.Z.	6.80



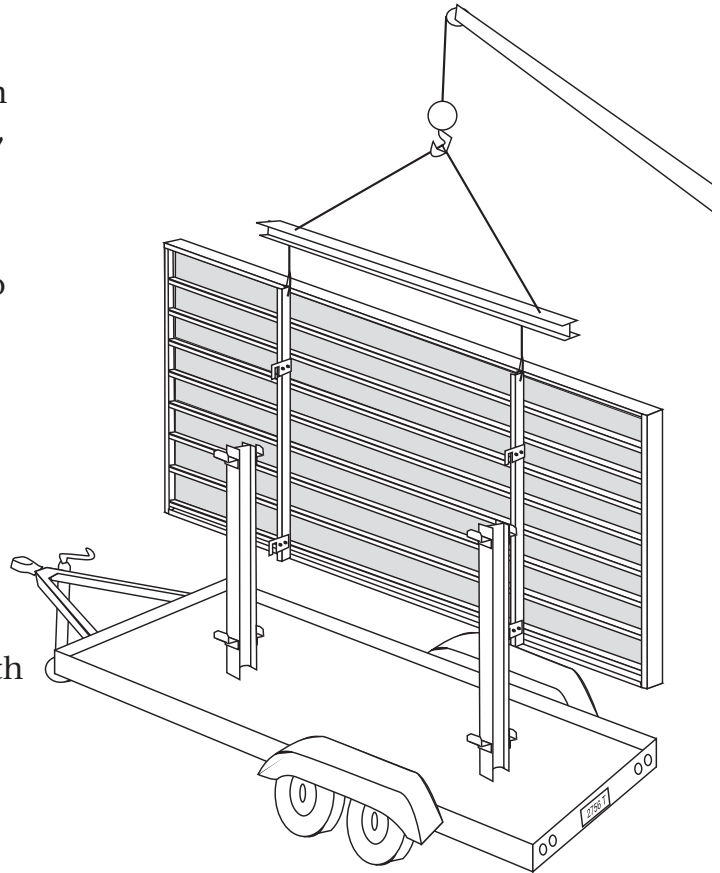
Excellence is our standard.

Formetco Unitized Poster Panels Assembly

The Formetco Unitized Poster Panels can be pre-assembled in your plant or on-site in less than an hour's time. Faces can be assembled in your yard, on a trailer, or on the structure at the site. Place assembled Unitized Poster Panel Faces on trailer to transport to site. Unitized Poster Panels save time on site by hanging directly on the Formetco "Z" Brackets or Formetco "NZ" Brackets using the Formetco "Z" Hanger Plates without costly drilling, welding or attaching bolts and nuts.

All Formetco Longlife Poster sections are G-165 for longer life. This is the heaviest coating available in the industry and is only available from Formetco.

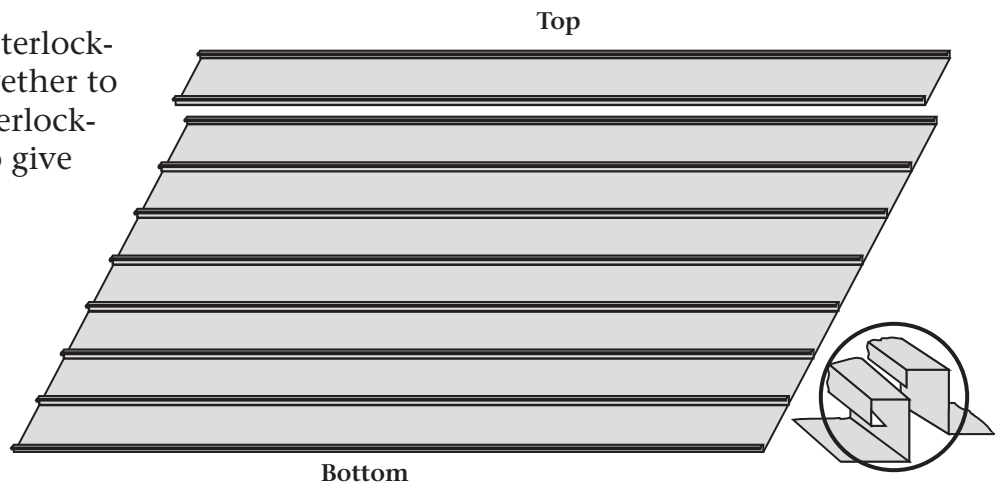
Formetco Unitized Poster Panels are available with the Formetco FX-300 Trim, FX-300 Universal Trim, FX-6 Trim, and Streamline Trim. Trim Packages and Installation instructions follow.



Section Assembly Instructions for FX-300 and FX-300 Universal Trim Packages

1. On the floor or saw horses, lay eight (8) Formetco Longlife Interlocking Sections face down.

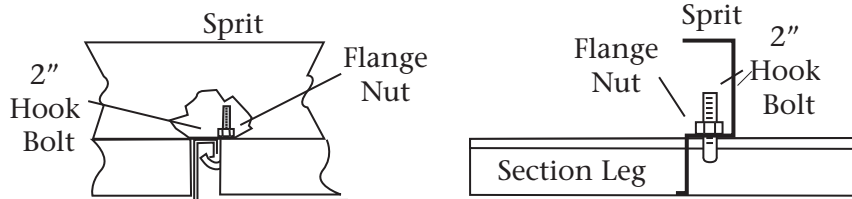
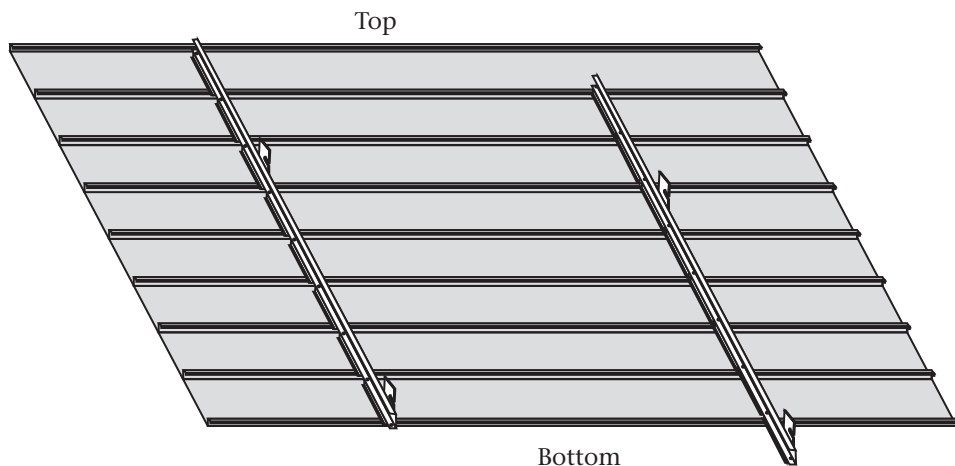
The Formetco Longlife Interlocking Sections interlock together to form a solid face. The interlocking legs act as stringers to give strength to the face.



Lay 8 Interlocking Sections face down on the ground or sawhorses bottom to top

Sections interlock together forming 9 horizontal stringers for a stronger face

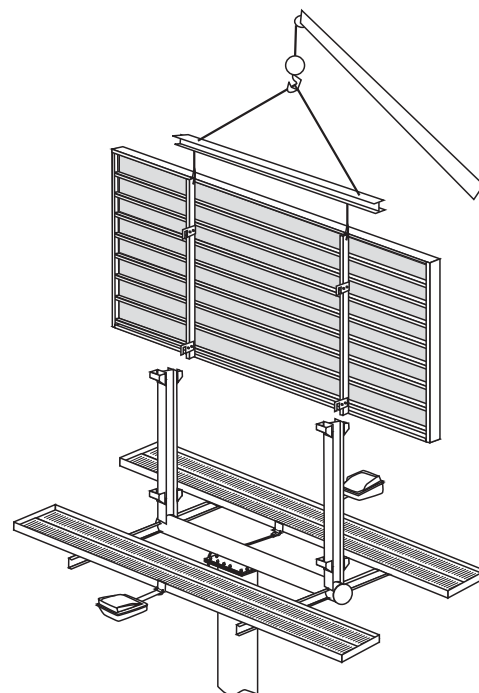
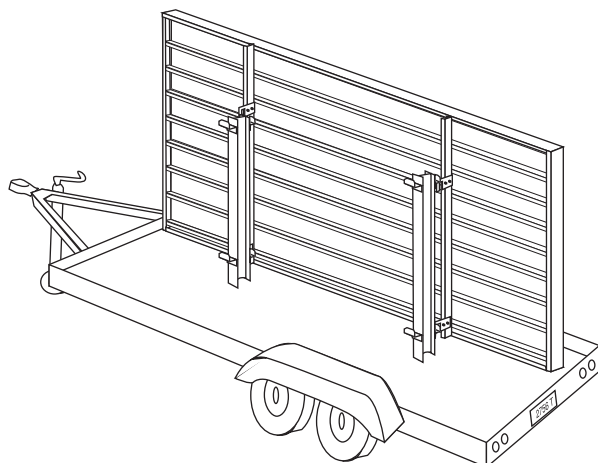
Formetco Unitized Poster Panels Assembly



2. Determine the spacing between your uprights for placement of your Sprits. Lay the Sprits down on the back of the sections at the location of your uprights.

3. Secure each Sprit to the sections with nine (9) - 2" Hook Bolts/Nuts per Sprit. With Sprit in place take a 2" Hook Bolt, place the hook over the interlocking section leg and up through the hole in the sprit. Place a Flange Nut on the Hook Bolt and hand tighten.

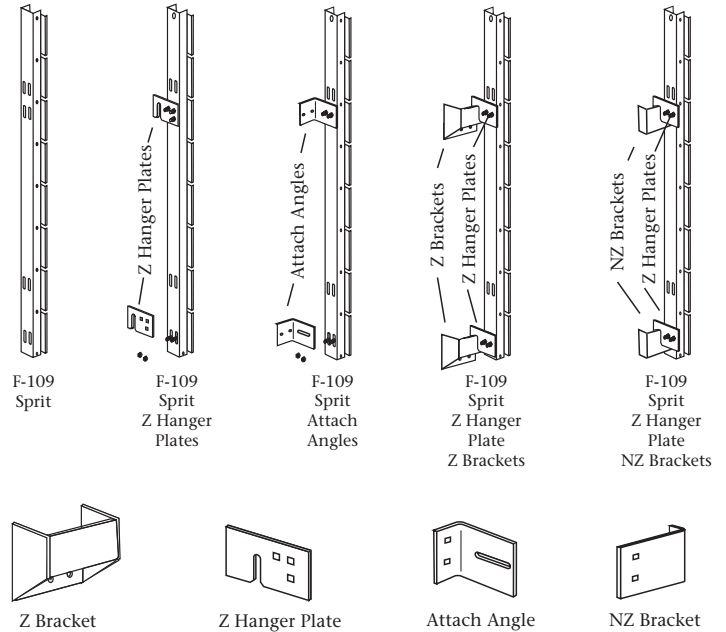
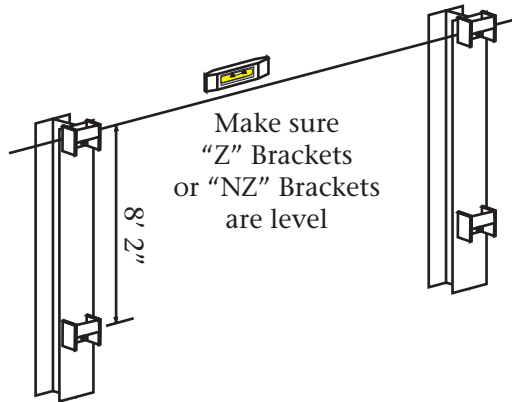
4. When all of the Hook Bolt and Flange Nuts have been installed, tighten all but the top Hook Bolt with a wrench. Leave the top Hook Bolt hand tightened until trim is installed. The face is now ready to flip over to install the trim brackets and trim of your choice. See pages ? through ? for the FX-300 Universal Trim and FX-300 Trim and brackets installations.



After the Trim has been secured to the face, you can post in the shop before you hang the face on site. The Formetco Unitized Poster Panels can easily be transported from location to location via trailer.

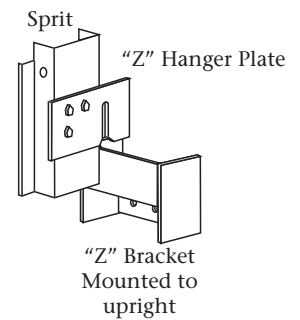
Formetco Unitized Poster Panel Hardware

Formetco Unitized Poster Panel can be mounted to your structure or walls. Formetco mounting hardware gives you a variety of methods for installation.



The F-109 "Z" Hanger Plates can be used to secure the face to the "Z" Bracket, "NZ" Bracket or angle iron stringers. The Attach Angle can be used to attach the face directly to a wall, I-Beams or wood poles.

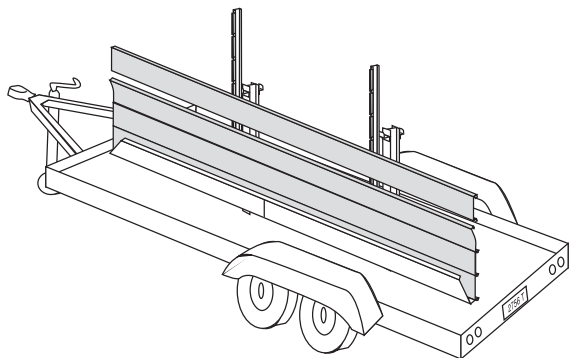
Attach two (2) "Z" Brackets or "NZ" Brackets to your uprights at 8' 2" one above the other center to center. Make sure that they are level from one upright to the other. The slotted holes on the Sprit allows for adjustment to level the face on site.



The Unitized Poster Panel can now be lifted up by crane and set on the structure with the slots in the "Z" Hanger Plate fitting over the "Z" Bracket, "NZ" Bracket or angle iron.

Assemble Faces on a Trailer or On-site

The Formetco Unitized Poster Panel can be assembled on a trailer or on your structure on-site. Attach "Z" Hanger Plates to your Sprits. Place on the "Z" Brackets and use a "C" Clamp to temporarily hold Sprits firmly to "Z" Bracket. Place the bottom two sections in the slots of the Sprits and using 2" Hook Bolts/Nuts secure sections to Sprits. NOTE: Attach the top and bottom trim pieces to the sections to save time. Use the screws until face is fully assembled.



Next, push the top of the upper section out and interlock the next section in place. Secure with the 2" Hook Bolts/Nuts. Continue until all eight (8) sections are installed.

Attach the side trim pieces, adjust the trim and secure with the trim screws. Tighten the hook bolts/nuts at top and bottom.

Installation on Wood Poles

Formetco Nail Clips can be used to attach the sections directly on wood poles at the site.

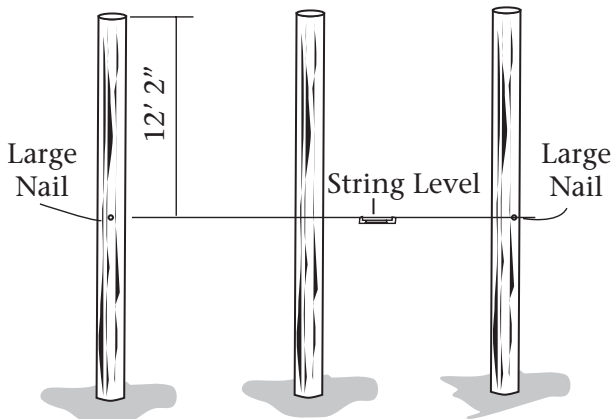
1. Measure down from the lowest pole 12' 2" and drive a heavy nail part way in the pole. Using a string level, place a nail in each pole level with your first nail.



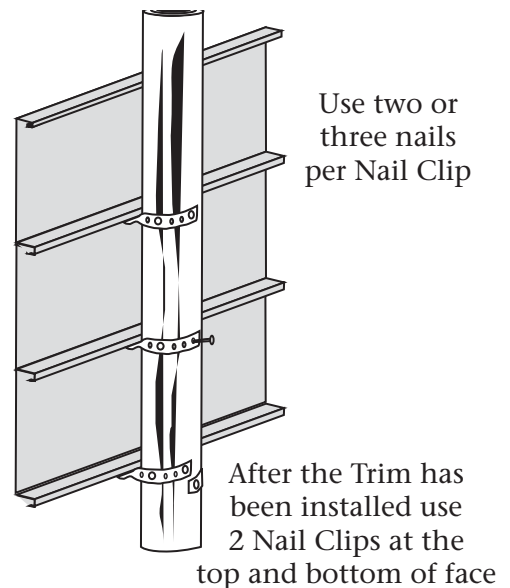
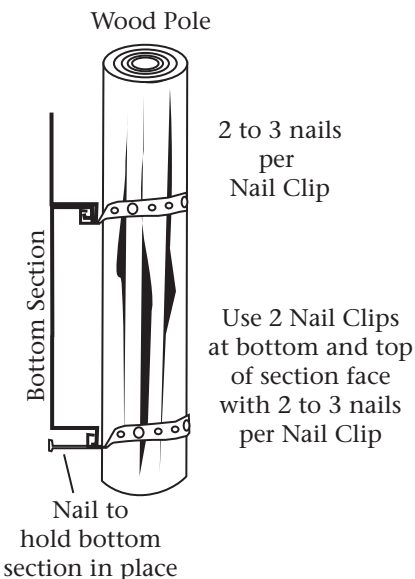
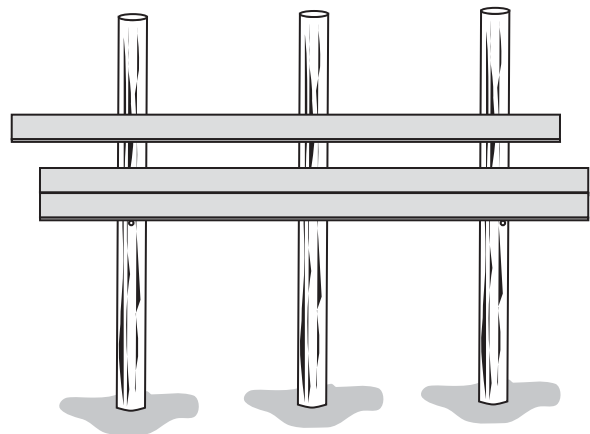
Nail Clip

Available in 6", 8", 10" and 12" lengths

2. Place the two bottom sections on the nails. Take Nail Clips and grab the section legs, wrap them around pole and nail with two or three nails. Place a temporary Nail Clip on bottom section leg. Next, push the top of the upper section out and set the next section interlocked in place and fasten to poles with Nail Clips. Continue until all eight sections are in place. Install the trim and fasten the top and bottom with two Nail Clips per pole.



Poster Panels on Wood Poles

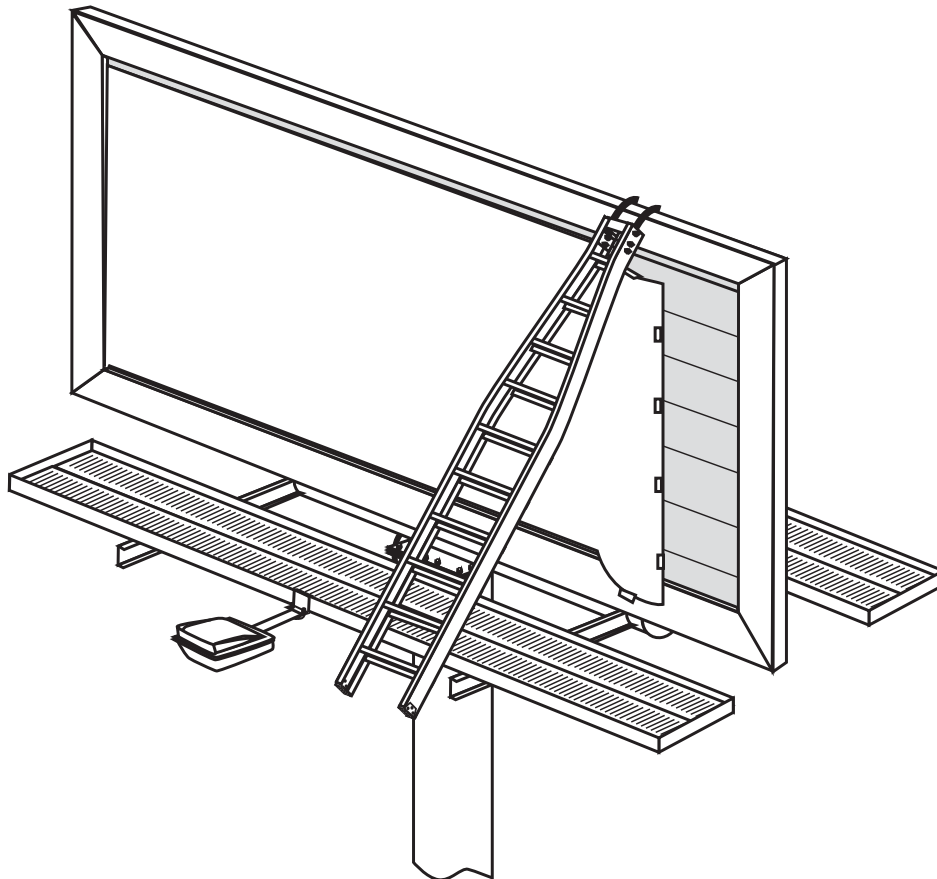


FX-300U Poster Panel

The FX-300U Poster Panel allows you to post, stretch a flexible vinyl inside the trim using Formetco's FX-300U system, or stretch a 300 square foot flexible vinyl over the trim. The FX-300U fastening system makes changing out flexible vinyls easy.

Formetco FX-300U Track and Tension Brackets are installed during assembly of the poster face and cannot be seen when trim is installed. FX-300U Trim brackets allow the FX-300U Vinyl to be installed to the Track and Tension Brackets and tightened without removing the trim. The patented special gripper bars and "T" Clips are installed when the vinyl is computer printed. The flexible gripper bars allow the vinyls to be shipped in a box or tube. The "T" Clip allow you to utilize both sides of the vinyl.

The FX-300U Trim, FX-300U Trim Brackets, FX-300U Track and FX-300U Tension Brackets can be purchased as a complete poster panel package or as a FX-300U Trim Kit to replace your old style trim. The FX-300U Trim is available in factory applied, baked-on acrylic enamel in White, Gray and Cedar.

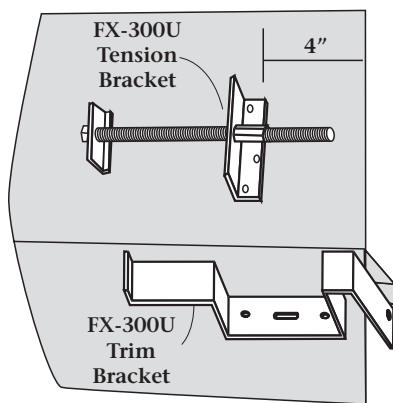
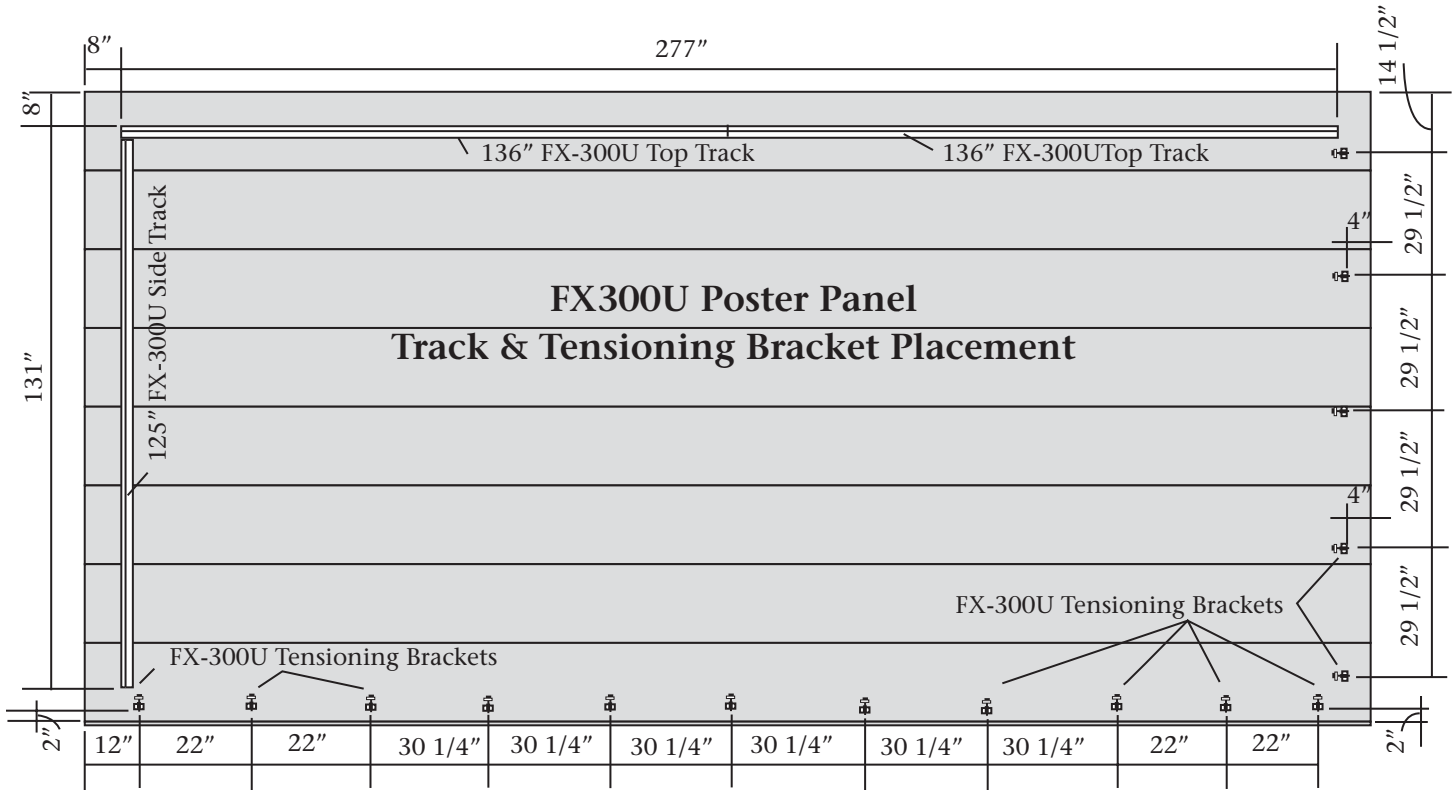


FX-300U Poster Panel Assembly

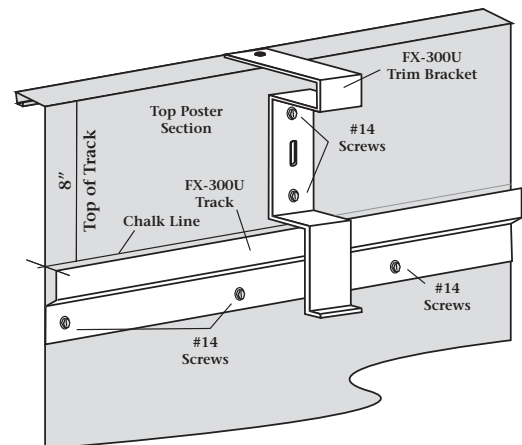
Track & Tension Bracket Layout

Mount the FX-300U Tracks with the edge 8" from the top and one side of the face. Secure to the face with #14 screws. The FX-300U Tension Brackets are installed 2" from the edge of the face across the bottom and 4" from the edge on the side. Use four (4) #14 screws with each FX-300U Tension Bracket.

Note: Side FX-300U Track and side FX-300U Tension Brackets can be reversed from the way shown below if needed.



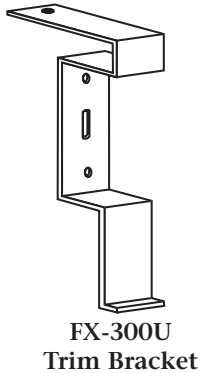
Side FX-300U Track and FX-300U Trim Brackets



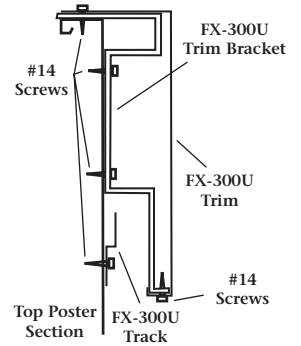
Top FX-300U Track and FX-300U Trim Brackets

FX-300U Poster Panel

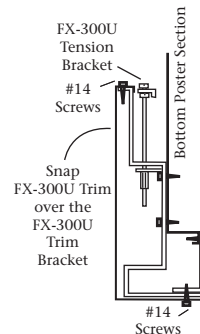
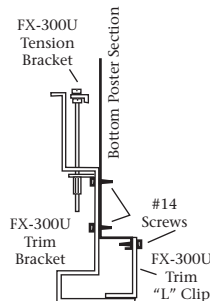
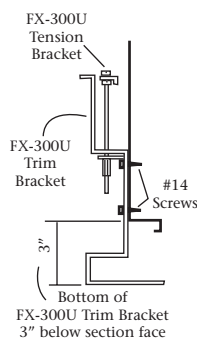
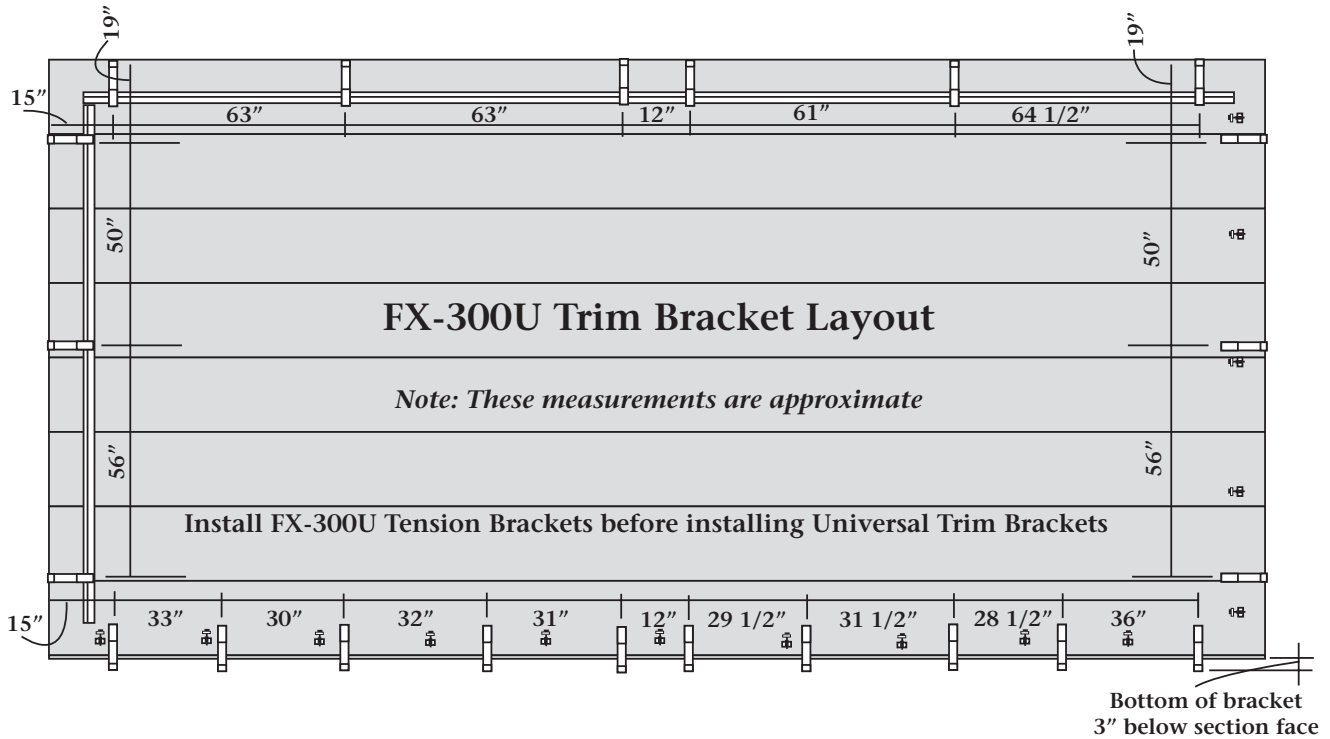
FX-300U Trim Bracket Layout



Before installing the FX-300U Trim Brackets you should lay out and mark the location of the trim brackets. Next, snap chalk lines to align the FX-300U Track and FX-300U Tension Brackets to the edges and locate and mark the FX-300U Tension Brackets locations. It is important that you follow these measurements to insure fast, easy and wrinkle-free installation of the FX-300U Poster Panel Vinyl.

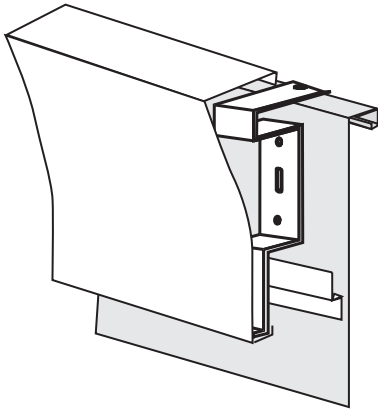


The FX-300U Trim Brackets fit flush with the edge of the poster section on the top and sides. The bottom FX-300U Trim Brackets are mounted extending 3" below the face. The FX-300U Trim Clip is placed on the Trim Bracket and secured to the section leg. After the FX-300U Trim has been installed, a #14 Trim Screw is screwed through the bracket and clip.



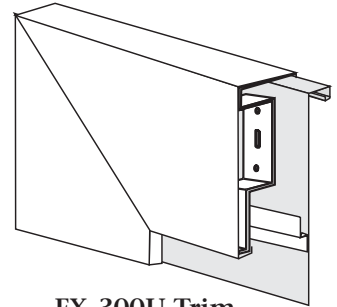
FX-300U Poster Panel

FX-300U Trim Instructions



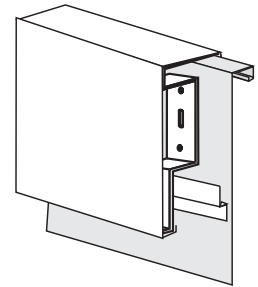
Snap the
FX-300U Trim
over the
FX-300U Trim
Bracket and section

1. With the FX-300U Trim Brackets, FX-300U Track and FX-300U Tension Brackets installed in place, snap the top right and the top left pieces of the Formetco FX-300U Trim over the trim brackets and follow with the bottom right and left pieces. Align the trim pieces up with the corners.

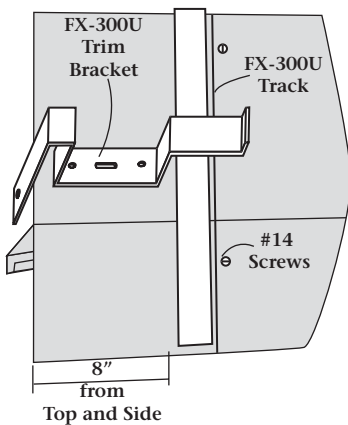


FX-300U Trim
Mitered Corners

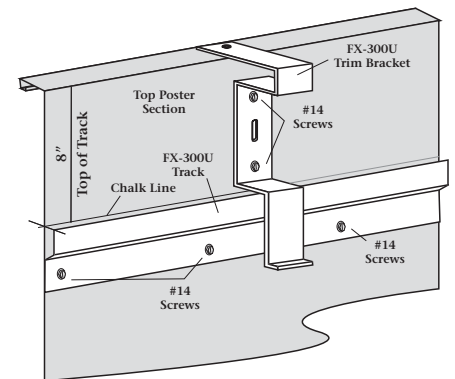
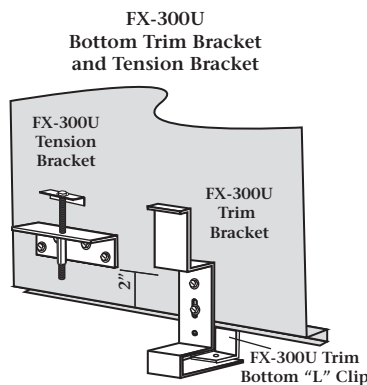
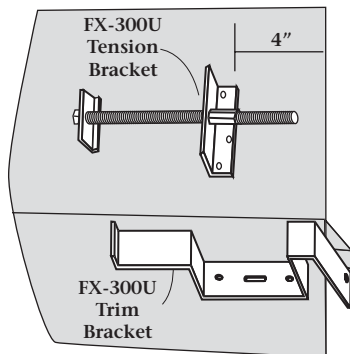
2. Snap the right side piece in place. Adjust the mitered corners with the top and bottom. Secure with #14 screws through each FX-300U Trim Bracket. Repeat with opposite side trim.



FX-300U Trim



3. Adjust the top trim pieces and secure with #14 screws through each trim bracket. Adjust the bottom trim pieces and secure to the trim brackets with #14 screws making sure that the #14 screws goes through the FX-300U Trim Bracket and the FX-300U Trim Clip.



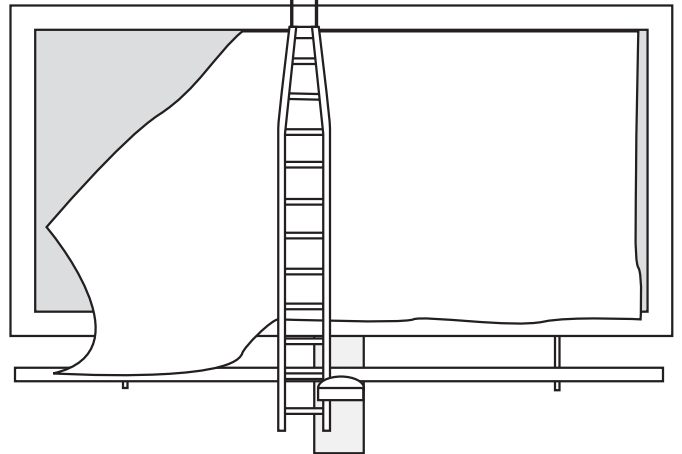
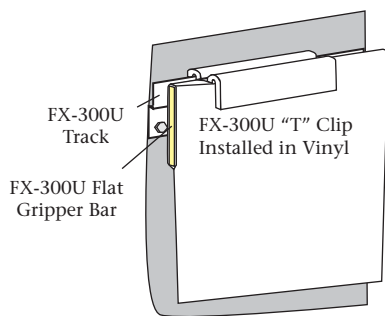
Excellence is our standard.

FX-300U Poster Panel

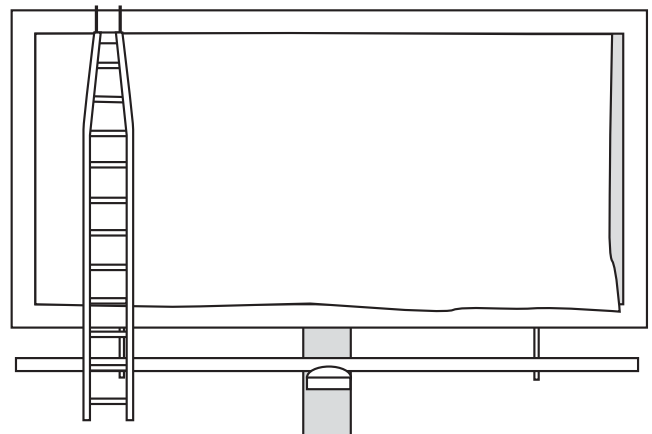
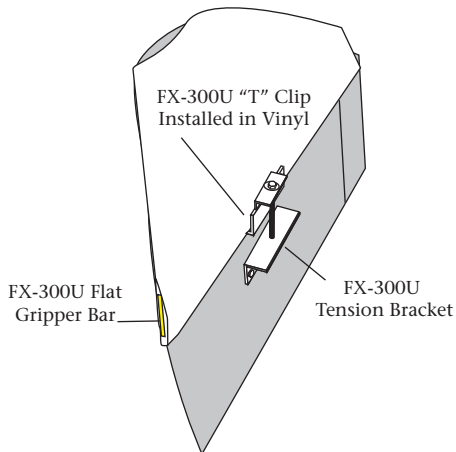
FX-300U Vinyl Installation

The Flexible Vinyl can be installed by one man in minutes.

1. Install the flexible vinyl with the "T" Clips and Gripper Bars starting at the top right side. Hook several of the top "T" Clips over the FX-300U Track. Place a magnet near the top to keep the flexible vinyl in place. DO NOT clip to the side Tension Brackets as yet.



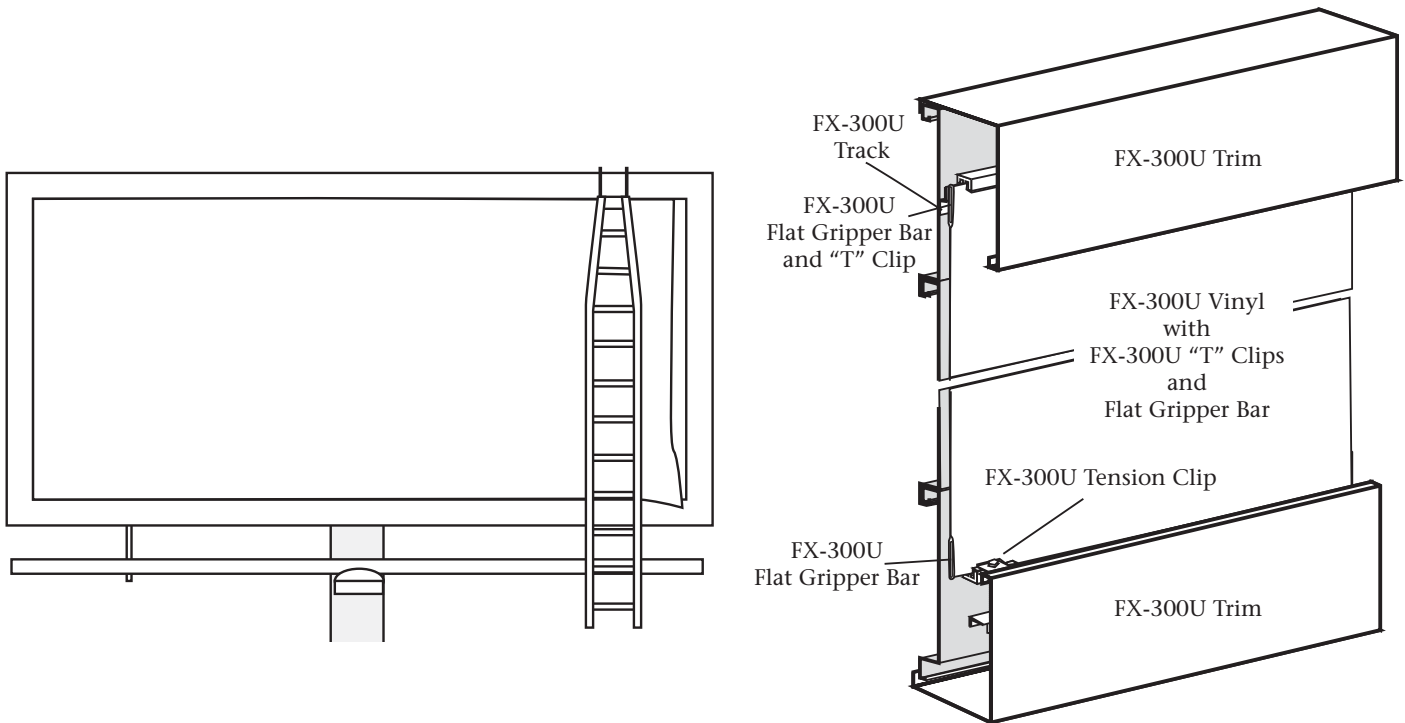
2. Move the hook ladder to the left and continue to attach the top "T" Clips over the track.



3. Set the hook ladder near the left end and hook the "T" Clips over the top and side Universal Tracks. Place another magnet near the top left

FX-300U Poster Panel

FX-300U Vinyl Installation



4. Attach the vinyl "T" Clips across the bottom to the FX-300U Tension Brackets.

5. Move the hook ladder to the right end and attach the "T" Clips down the right side. Remove both magnets and tighten the FX-300U Tension Brackets using a deep socket ratchet wrench.



FX-300 & FX-300U Poster Panel

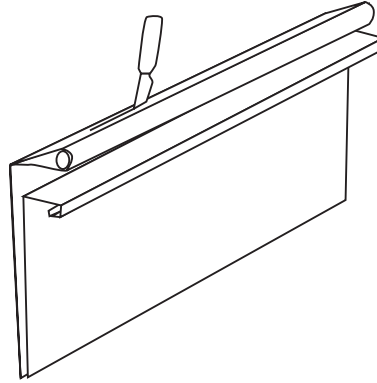
300 Square Foot Vinyl Installation

The FX-300 and FX-300U vinyls do not wrap around the back of the face.

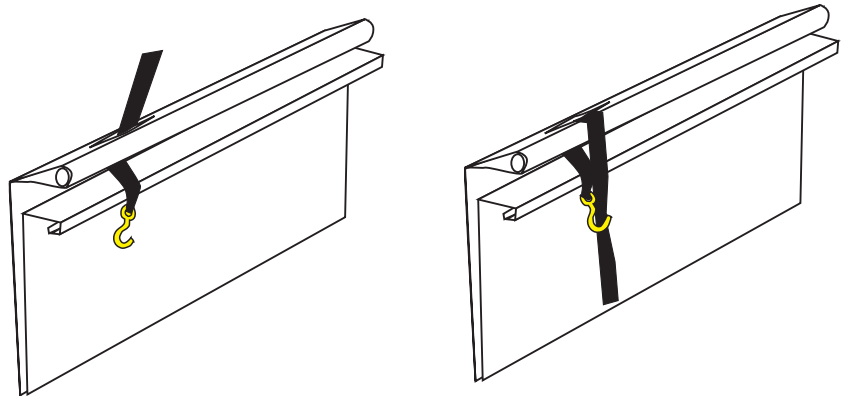
With the top Gripper Bar in the pocket of the vinyl, cut a 3" slit through both sides of the pocket. Place ratchet hook and strap through the slit. Bring remaining ratchet strap to the back of the face and attach the hook on the strap. Hook the other end to a section leg and snug the ratchet but do not tighten yet. The side ratchets can be attached to the Sprits.

After all the ratchet straps have been installed, then begin to tighten all the ratchets.

Cut a 3" slit in vinyl pocket.
Be sure to cut close to gripper bar and through both sides of the pocket.



Push ratchet hook through the slit.
Wrap the ratchet strap to the back of the face and hook the hook onto the strap



Formetco
3/4" Gripper Bars



FX 300 Trim
FX300 Trim Brackets

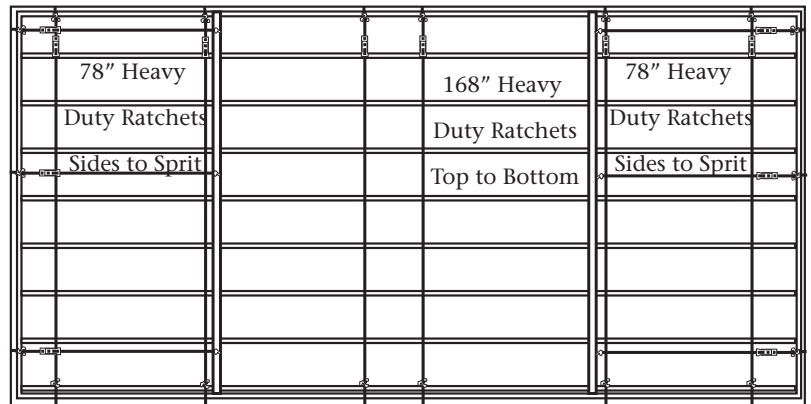
Formetco
3/4" Gripper Bars



FX 300 Trim
FX300 Trim Brackets

Formetco 78"
Heavy Duty
Ratchets

Formetco 168"
Heavy Duty
Ratchets



FORMETCO
OUTDOOR

Excellence is our standard.

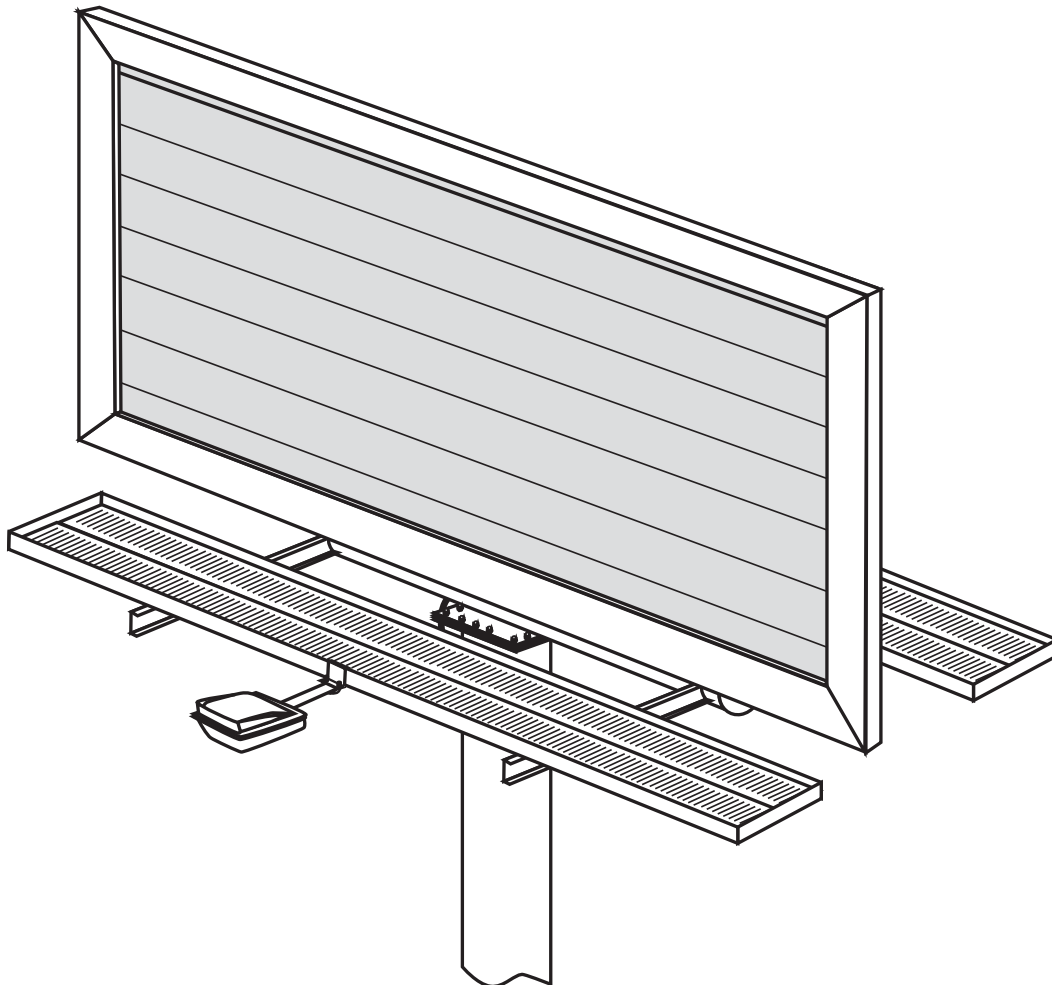
FX-300 Poster Panel

Convert your poster panel to a 300 square foot bulletin in minutes with the Formetco FX-300 Poster Panel Trim. The FX-300 Trim allows you to stretch a flexible vinyl face over the trim, giving your customer a 28% increase in the copy size. No additional alterations are required to use as a standard poster panel or a Forma-Flex 300 Bulletin.

Advertisers are willing to pay for the superior graphics and large scale impact made possible by the FX-300 Trim System. Copy size is 10'5" x 22'8".

FX-300 Bulletins for a 300 square foot rotary for long term clients and they can be shipped from plant to plant. Copy size is 12' 3" x 24' 6".

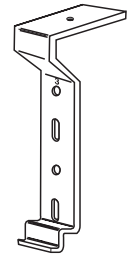
The FX-300 Trim is available with factory applied baked-on acrylic enamel in White, Gray and Cedar.



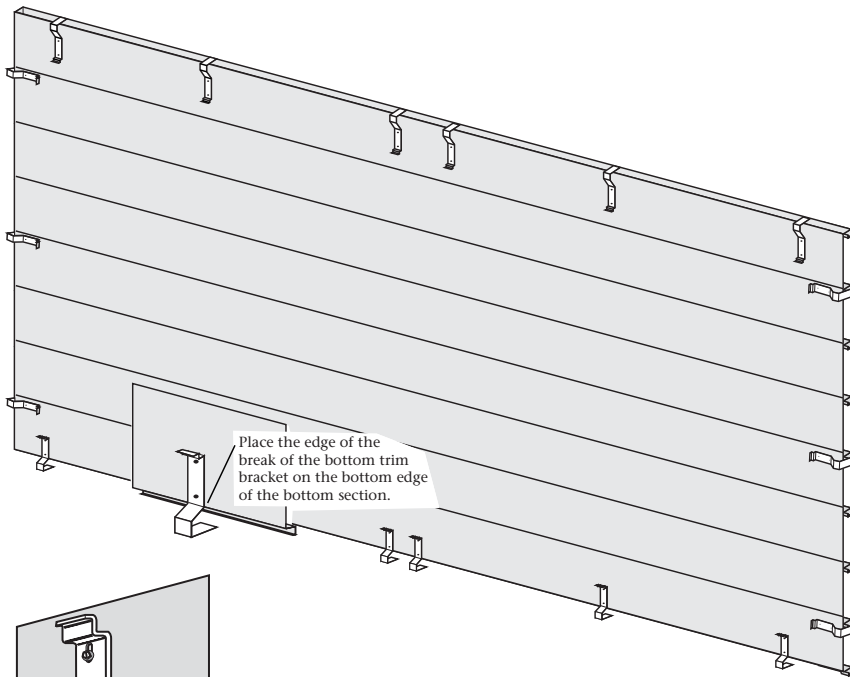
FX-300 Poster Panel

FX-300 Trim Installation

The Formetco FX-300 Trim allows you to have the option of a standard poster or a 300 square foot bulletin without costly conversions. Flexible vinyls can easily be wrapped over the flat FX-300 Trim. The factory pre-painted steel FX-300 Trim is available in White, Gray and Cedar.

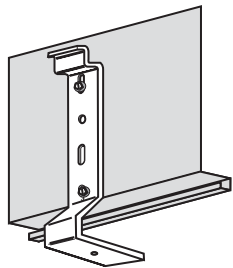


FX-300
Trim Bracket

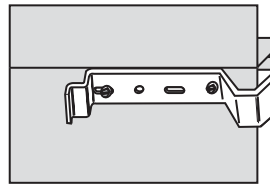


After your sections have been assembled with the Sprints, turn the panel face up. Attach eighteen (18) FX-300 Trim Brackets on the face as shown on diagram. Make sure that the corner brackets are at least 12" from the edges and the two (2) middle top and bottom brackets are about 8" apart.

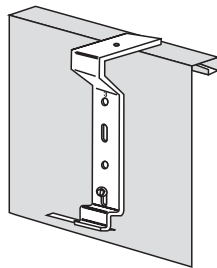
The bottom row of FX-300 Trim Brackets are mounted with the break in the bracket lined up with the bottom of the face. This will allow the bracket to be 3" below the bottom of the face.



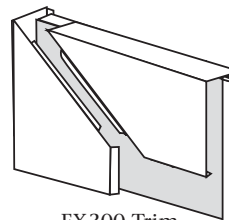
FX-300 Bottom
Trim Bracket



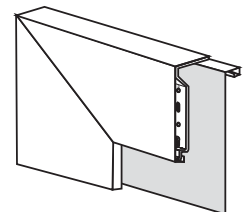
FX-300 Side
Trim Bracket



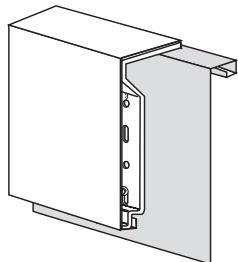
Top FX-300
Trim Bracket



FX300 Trim
Mitered Corners
with Lap Joints
for tight fit



FX-300 Trim
with FX-300 Trim Bracket
Corner Detail



FX-300 Top Trim
on FX-300 Trim Bracket

With the FX-300 Trim Brackets in place, snap the top right and the top left pieces of the Formetco FX-300 Trim over the trim brackets and follow with the bottom right and left pieces. Line trim pieces up with the corners.

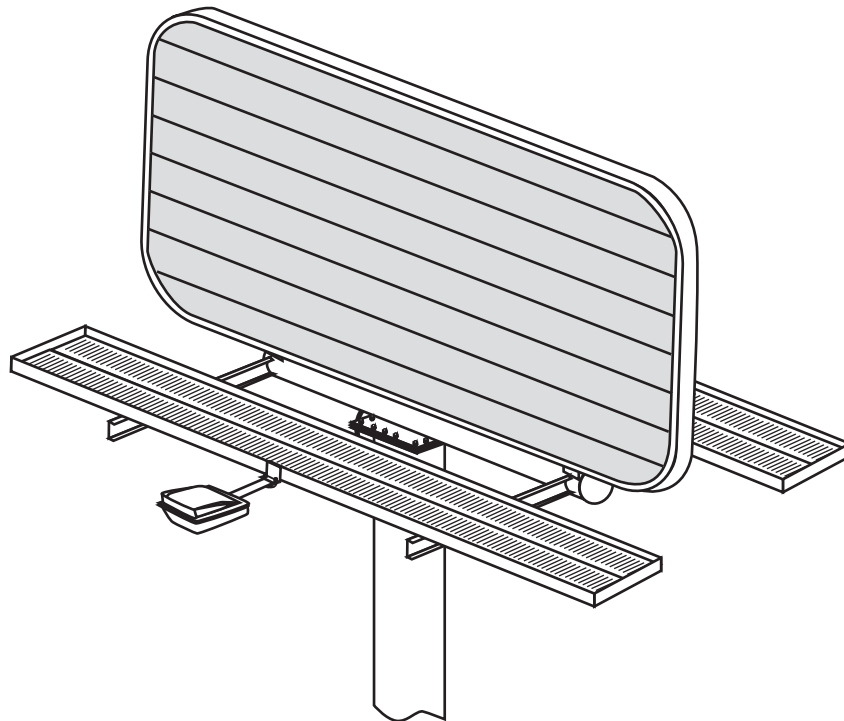
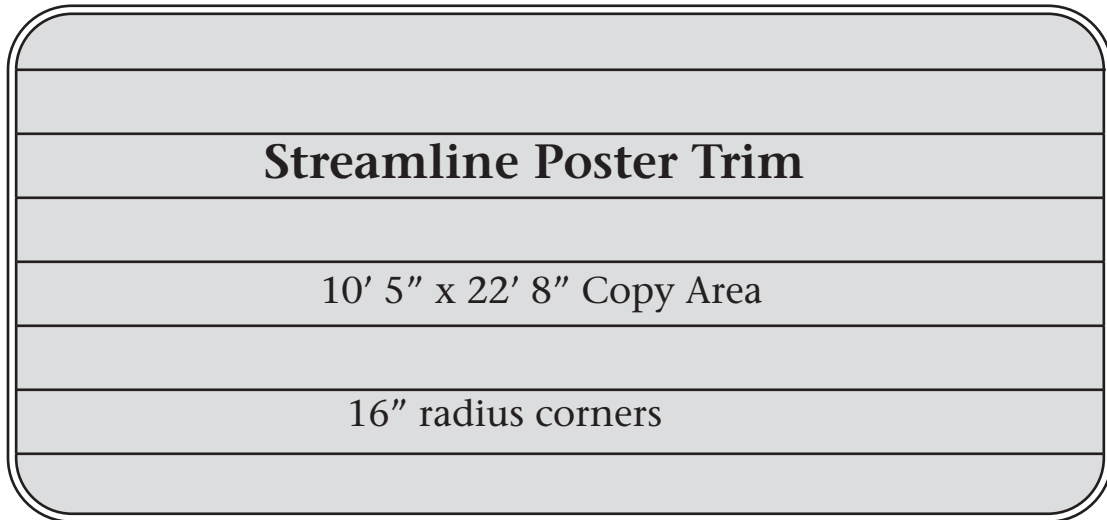
Snap the right side piece in place. Adjust the mitered corners with the top and bottom and screw through trim brackets along the side. Repeat with left side.

Install screws in top and bottom trim.



Excellence is our standard.

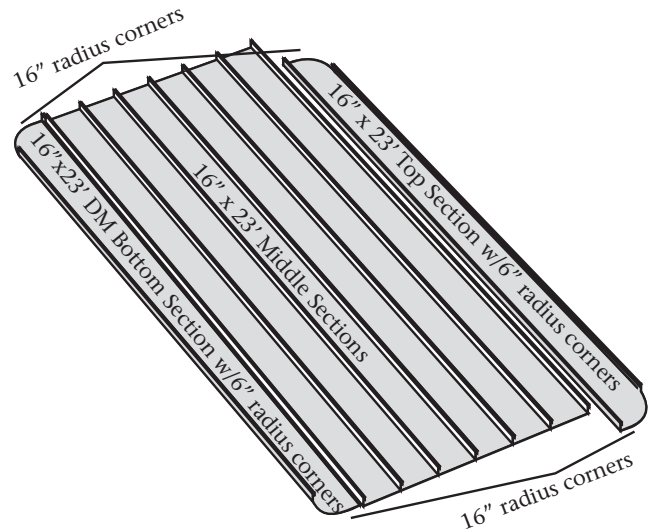
Streamline Poster Panel



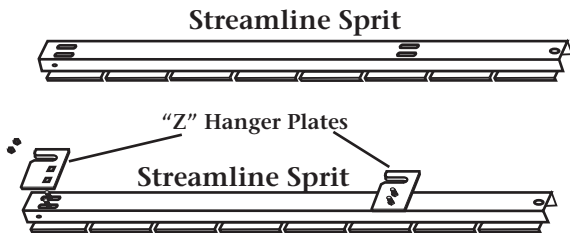
Streamline Poster Panel

Assembly Instructions

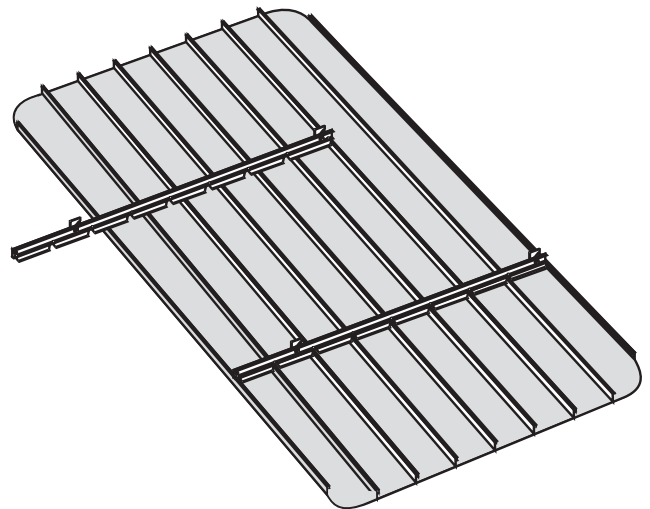
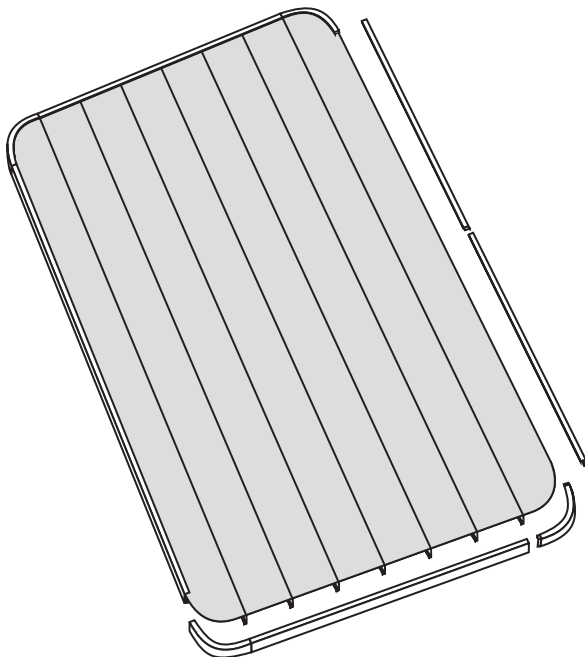
Lay sections on the floor or on saw horses face down. Start with the 16 1/8" x 23' -16" radius corner D/M bottom section. Then interlock 6 - 16 1/8" x 23' interlocking sections and the 16 1/8" x 23' - 16" radius corner top section. Make sure that the ends are aligned. All Formetco Poster Panel Sections are G-165 Longlife sections, the thickest coating available in the industry.



Attach the "Z" Hanger Plates to two Streamline Sprits. Next mark the Sprit locations on the back of the panels. Place the two or three Sprits in place and using 2" Hook Bolts/Nuts attach the Sprits to the face. Turn face over.

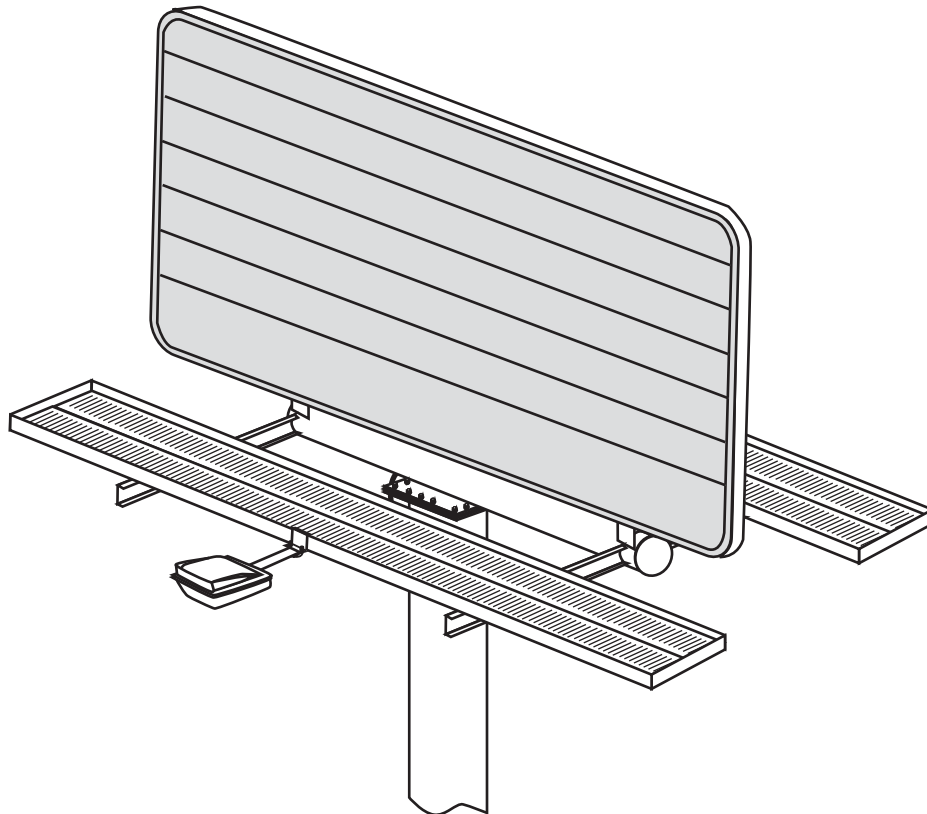
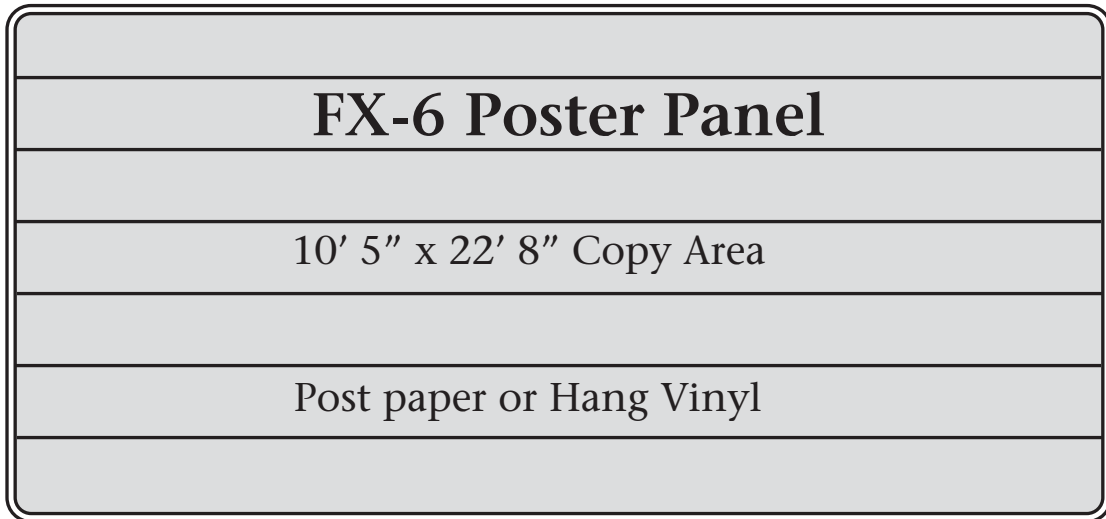


Attach the corner pieces of the Streamline Trim to the side pieces. Connect the top pieces with the trim splice and do the same on the bottom pieces. Place the side pieces in place and attach the top and bottom pieces of trim and secure with the #14 Trim Screws. Secure the Streamline Trim around the outer edges with #14 Trim Screws.



The Streamline Poster Panel is now ready to be transported to the site and hung on the structure.

FX-6 Poster Panel



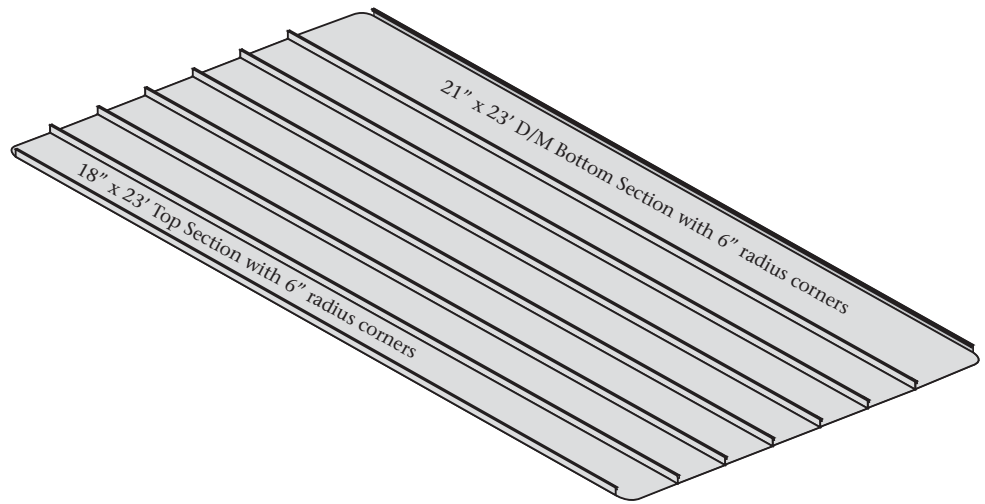
FX-6 Poster Panel

FX-6 Assembly Instruction

Lay the 21" x 23' - 6" radius corner D/M Formetco FX-6 Poster Panel bottom section face down on the floor or saw horses. Next, lay five (5) 18" x 23' interlocking sections in place. Finish with the 18" x 23' - 6" radius corner Top Section.

Mark the location of the 2 or 3 FX-6 Sprits on the back of the sections.

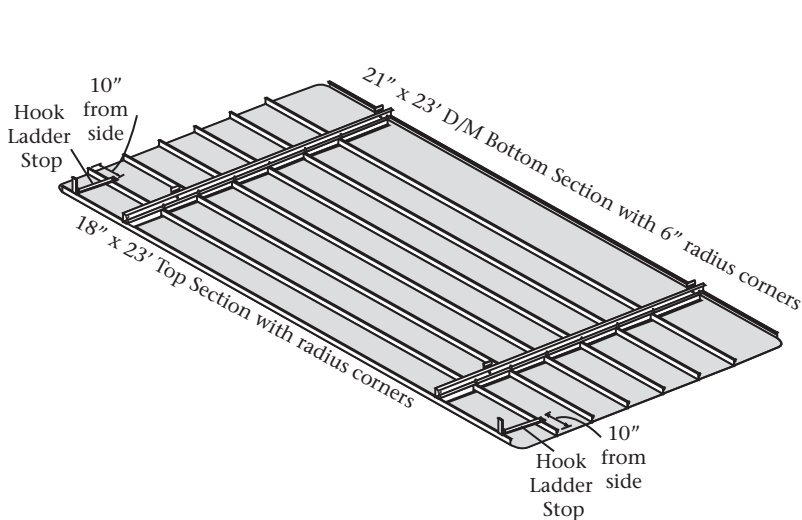
Install the "Z" Hanger Plates on the Sprits before attaching to the back of the face.



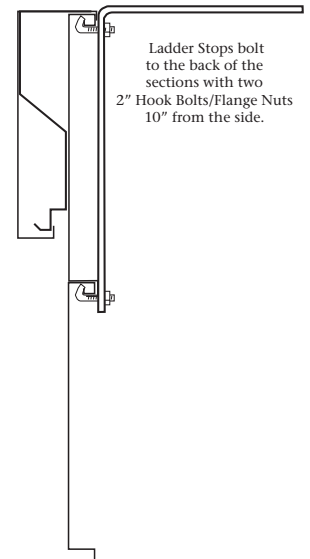
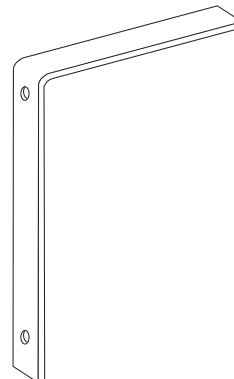
FX-6 Sprit



Attach Ladder Stops to the top sections 10" from each side with two Hook Bolts/Flange Nuts.



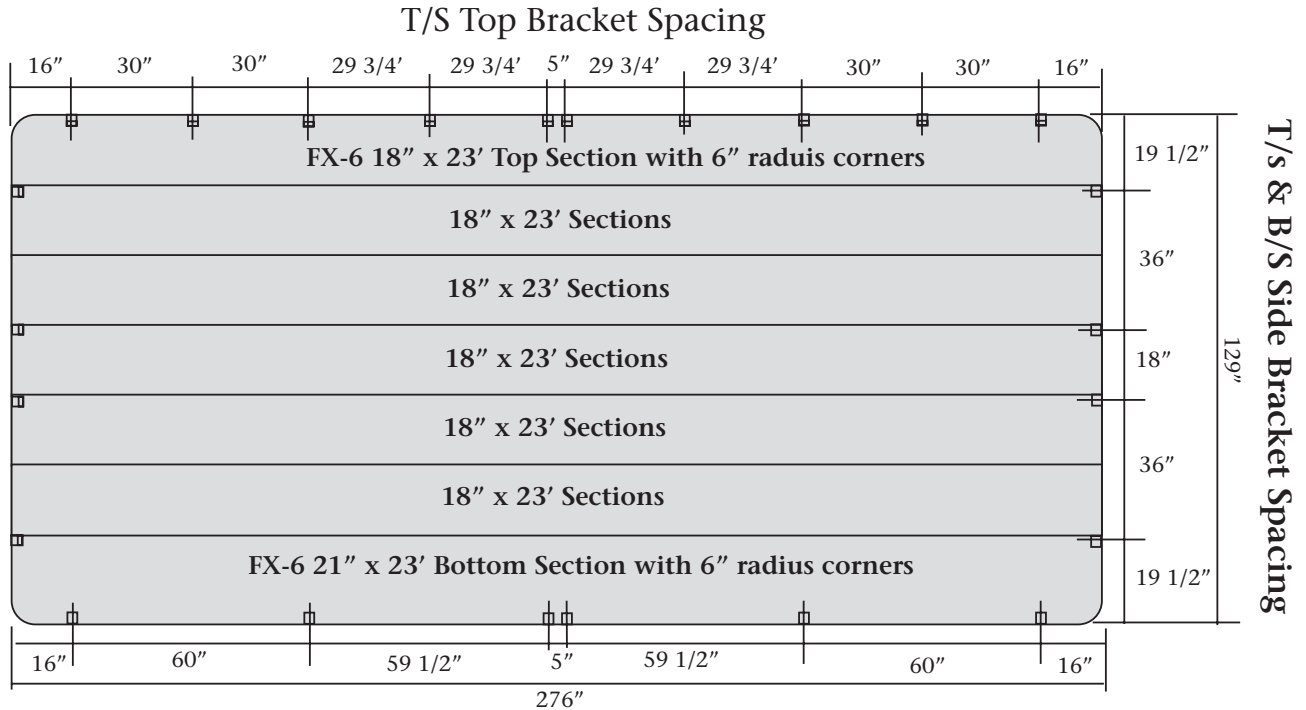
Formetco Ladder Stop 12 gauge steel



FX-6 Poster Panel

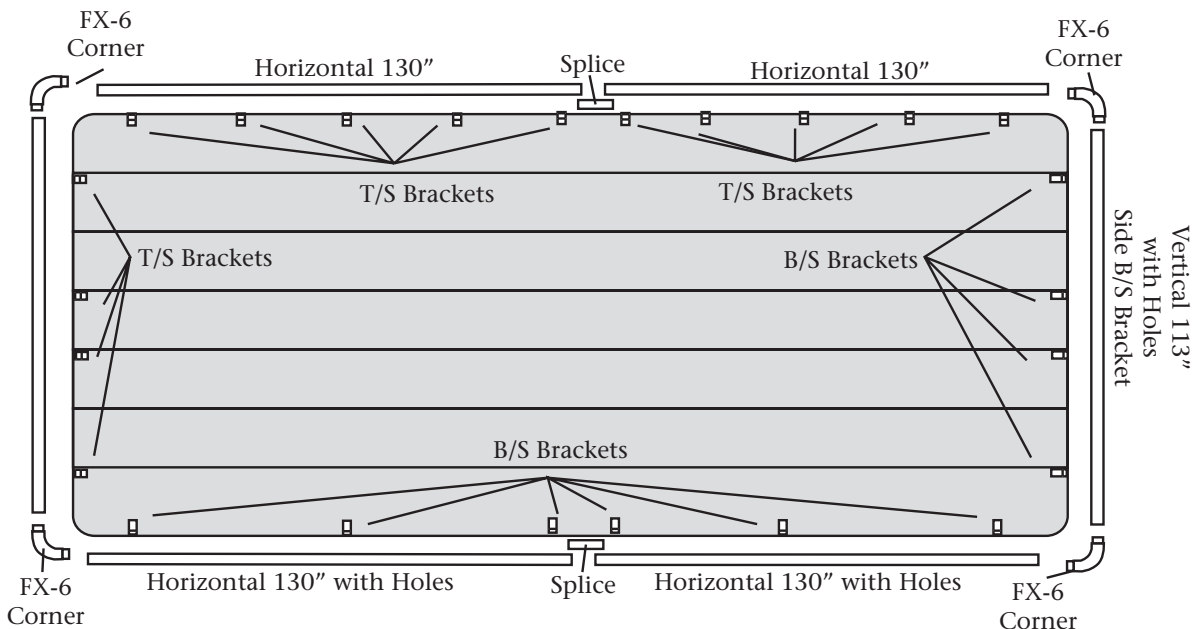
FX-6 T/S & B/S Bracket Spacing

T/S Brackets are installed across the top and down one side of the sections. The B/S Brackets are installed across the bottom and down the opposite side of the sections.



See Pages 22- 26 for T/S & B/S Brackets and FX-6 SS Trim Installation

FX-6 Trim Installation

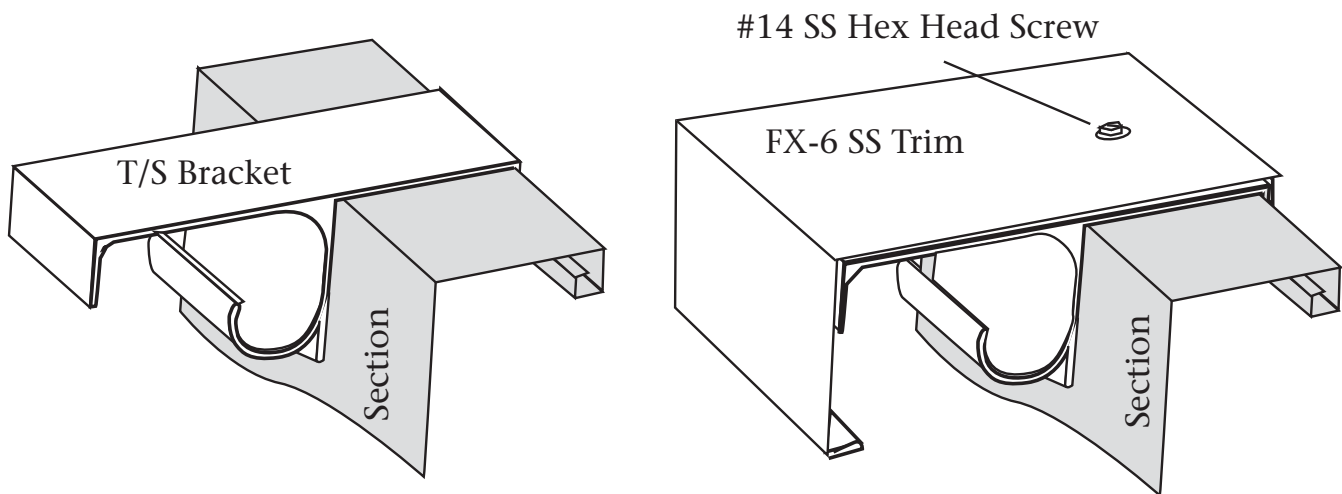
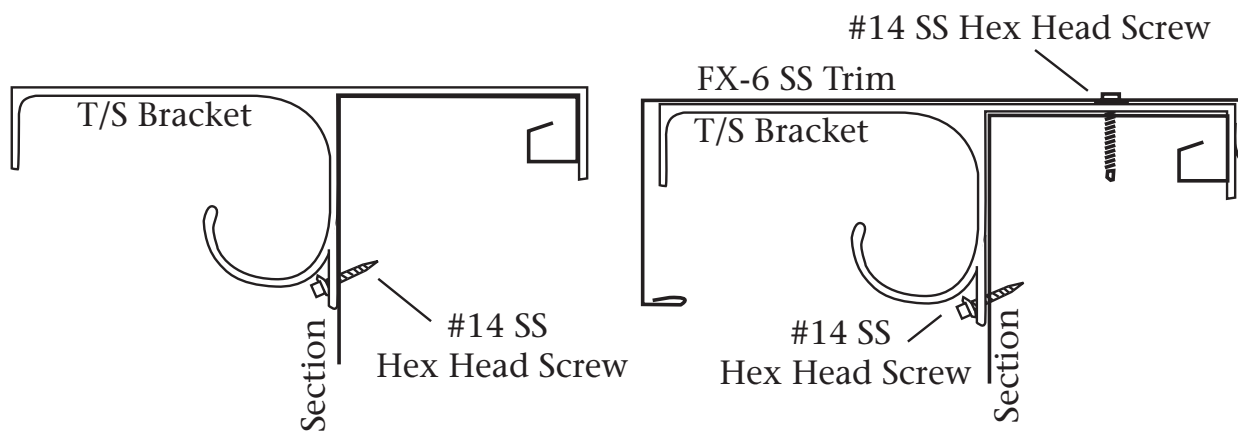


Excellence is our standard.

FX-6 Poster Panel

FX-6 T/S Brackets

Measure and mark the location of the T/S Brackets across the top and on one side of the face. Center a T/S Bracket at each mark. Across the top secure the T/S Brackets with one #14 SS Screw through the bottom flange of each T/S Bracket into the section face at this time.

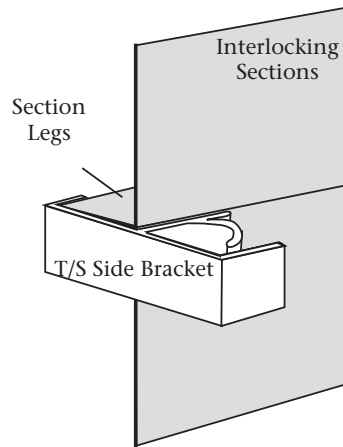


FX-6 Poster Panel

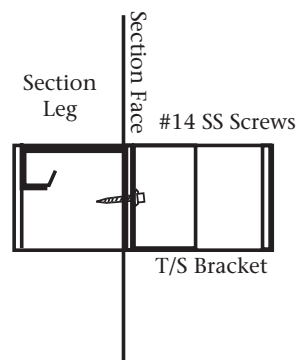
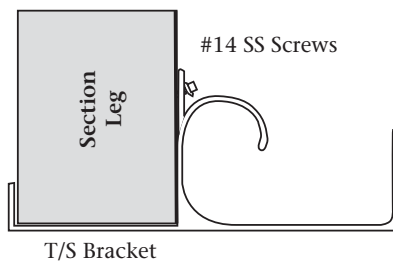
FX-6 T/S Side Brackets

1. Center T/S Brackets on the measurement lines. The top of the back flange of the T/S Bracket should be on the leg of the interlocking sections.
2. Secure the T/S Brackets with a #14 SS Screw through the flange below the gripper bar support.

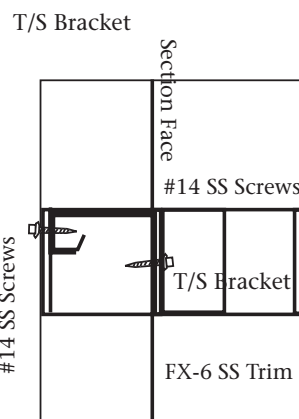
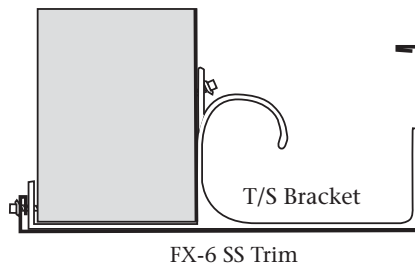
See Page 26 for installation of Back Screws.



Align the T/S Side Bracket with each measurement. Secure with a #14 SS Screw



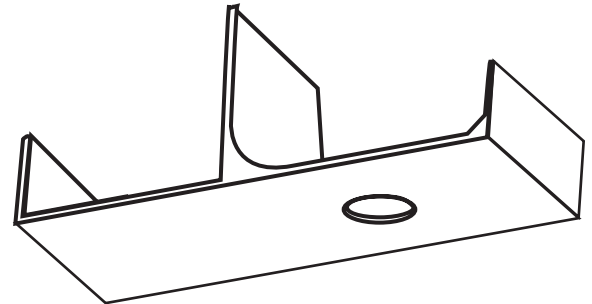
Place SS Trim over T/S Brackets and secure to the T/S Side Trim on the back edge through the T/S Bracket and both sections.



FX-6 Poster Panel

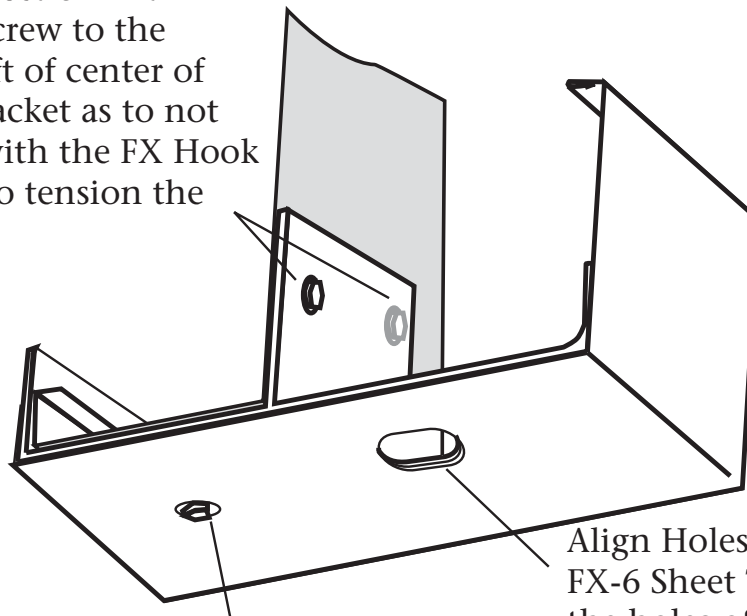
FX-6 B/S Brackets

Locate and mark the positions for the B/S Brackets across the bottom and up the opposite side. Center the B/S Brackets at each mark. Place a #14 SS Screw through bracket into section.



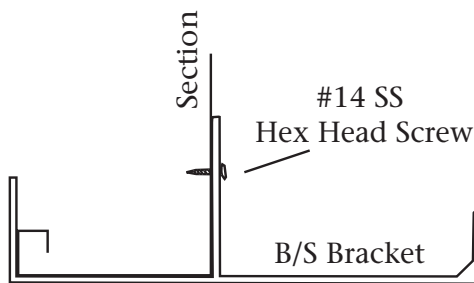
B/S Bracket

Secure to section with a #14 SS Screw to the right or left of center of the B/S Bracket as to not interfere with the FX Hook Bolts use to tension the vinyl.



#14 SS Hex Head Screw

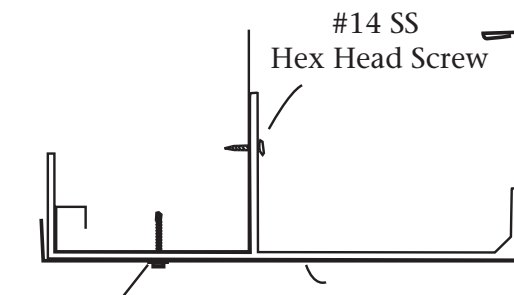
Align Holes of the FX-6 Sheet Trim with the holes of the B/S Brackets



Section

#14 SS Hex Head Screw

B/S Bracket



#14 SS Hex Head Screw

FX-6 Sheet SS Trim

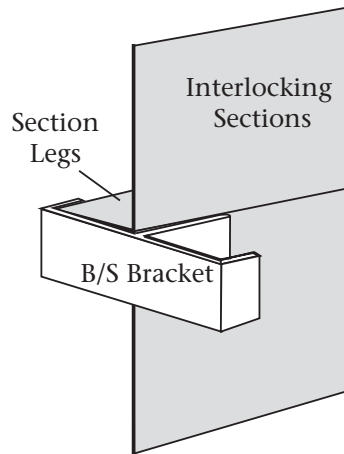
#14 SS Hex Head Screw

FX-6 Poster Panel

FX-6 B/S Side Brackets

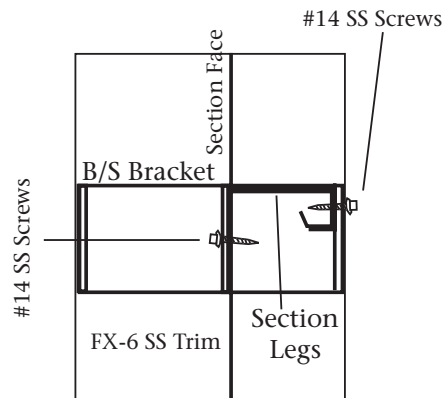
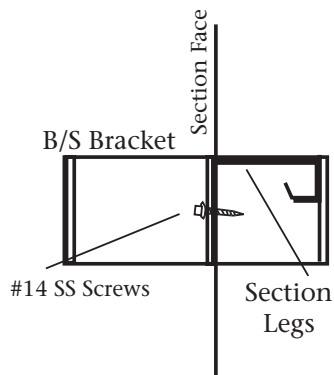
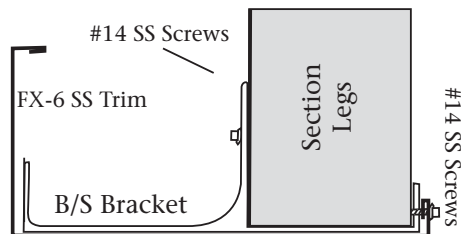
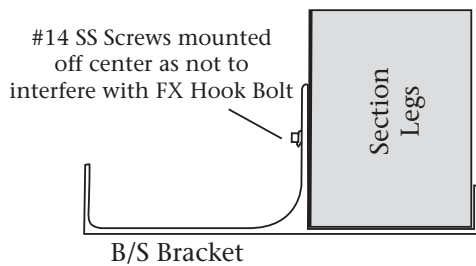
1. Center B/S Brackets on the measurement lines. The top of the back flange of the B/S Bracket should be on the leg of the interlocking sections.
2. Secure the B/S Brackets with a #14 SS Screw through the flange off center, as to not interfere with the 4" Tensioning Hook Bolt.

See Page 26 for back screw detail.



Align each B/S Side Bracket with each measurement. Secure with a #14 SS Screw through the section.

Place SS Trim over B/S Brackets and secure to the B/S Side Bracket on the back edges through the B/S Bracket and both sections.



FX-6 Poster Panel

Installation of FX6 Vinyl Insert

To prepare FX6 Vinyl for installation lay the vinyl face down on floor or ground. Mark the location of each of the T/S and B/S Brackets.

Cut a 2" wide by 1 1/2" square out of the back side of the pocket. Do not cut the front side of the vinyl.

Insert the 5/8" x 272" Gripper Bars in the top and bottom pockets. Place the gripper bar up and over the top T/S Brackets.

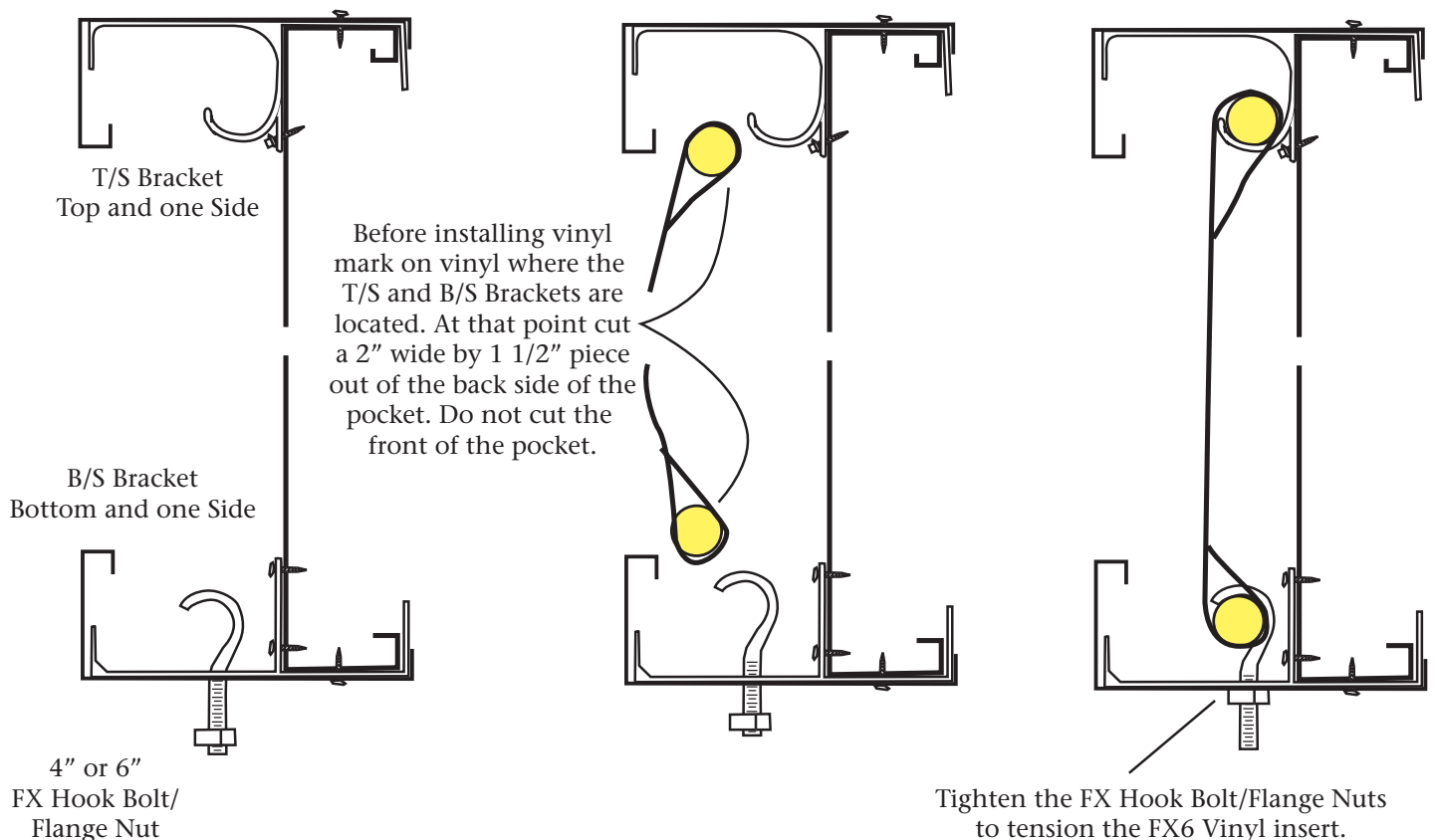
Insert a 5/8" x 10' Gripper Bar in each side pocket and place on the side T/S and B/S Brackets.

Place the 5/8" x 272" bottom Gripper Bar over the B/S Brackets across the bottom.

Tension the FX6 Vinyl by tightening the FX Hook Bolts/Nuts.

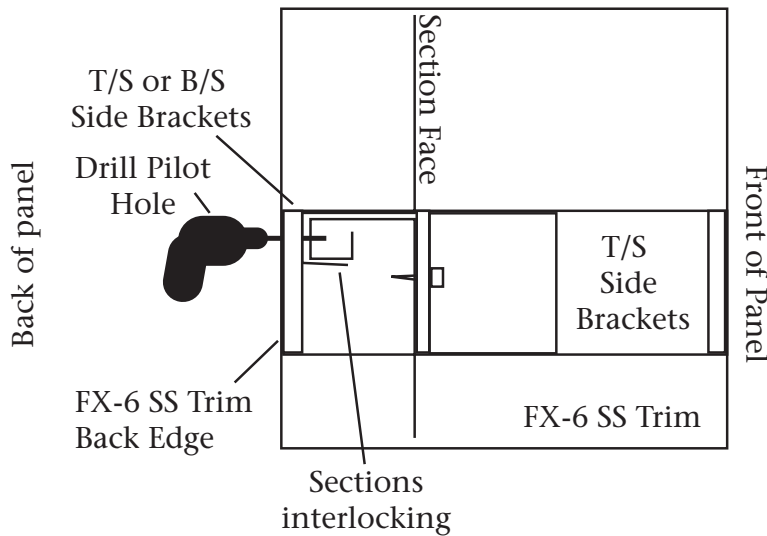
FX6 Vinyl Insert Installation

Place gripper bar on
T/S Brackets, top and sides,
then on FX Hook Bolts.



FX-6 Poster Panel

FX-6 T/S & B/S Side Brackets Back Screw

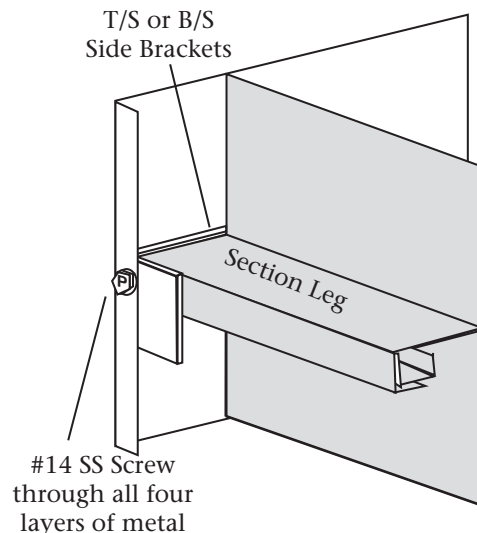
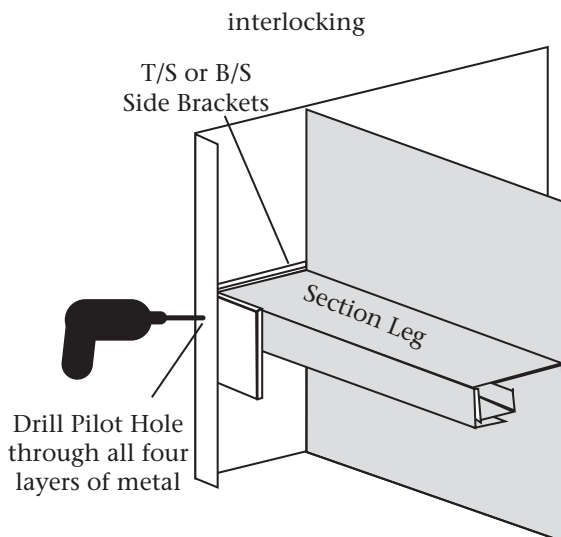
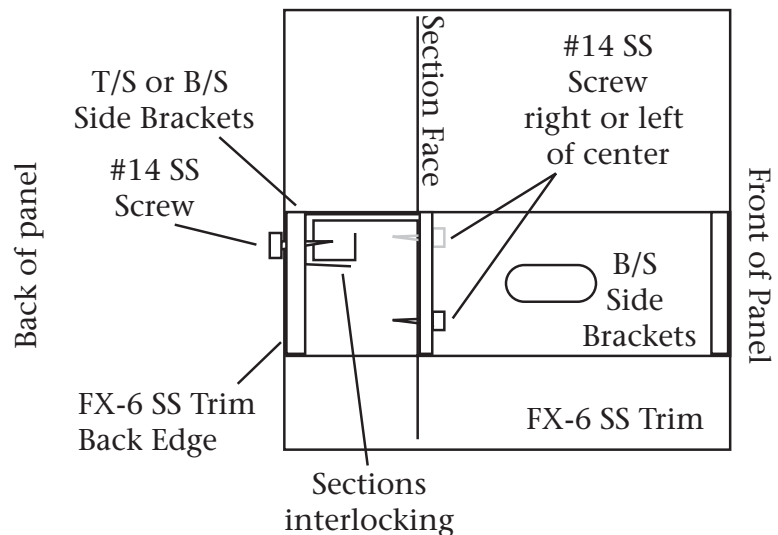


With T/S Brackets and Trim installed drill a pilot hole through Trim, Bracket and both sections legs.

Secure with a #14 SS Screw. Make sure screw goes through all components.

With B/S Brackets and Trim installed drill a pilot hole through Trim, Bracket and both sections legs.

Secure with a #14 SS Screw. Make sure screw goes through all components.



FX-6 Poster Panel

FX-6 Retrofit

You can recycle your 24' 5 1/2" Sections and F-109 Sprits to use with the FX-6 Retrofit Kit.

The FX-6 Retrofit Kit contains the following:

FX-6 Retrofit Kit

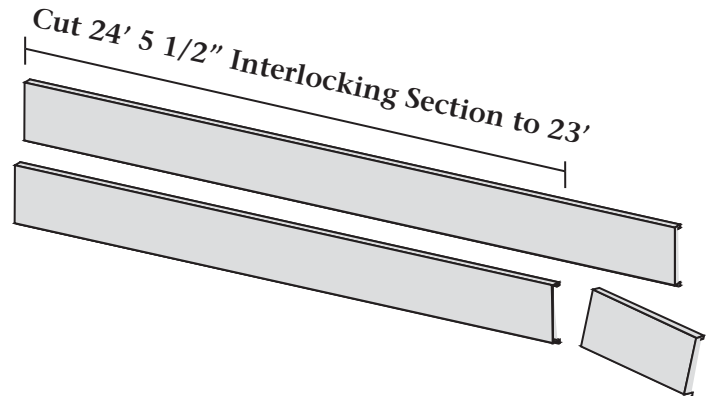
- 1 18" x 23' Top Section with 6" radius corners
- 1 21" x 23' D/M Bottom Section w/6" Radius corners
- 1 Set 2" SS Trim
- 14 T/S Brackets
- 10 B/S Brackets

To recycle the sections, cut the sections to 23'. You will be able to make 3 FX-6 Poster Panels from the sections of 3 faces.

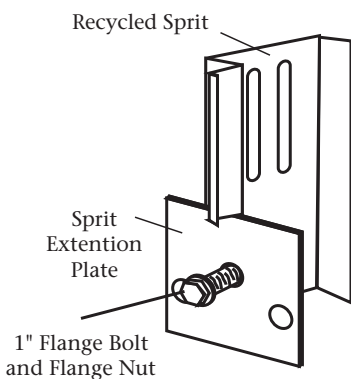
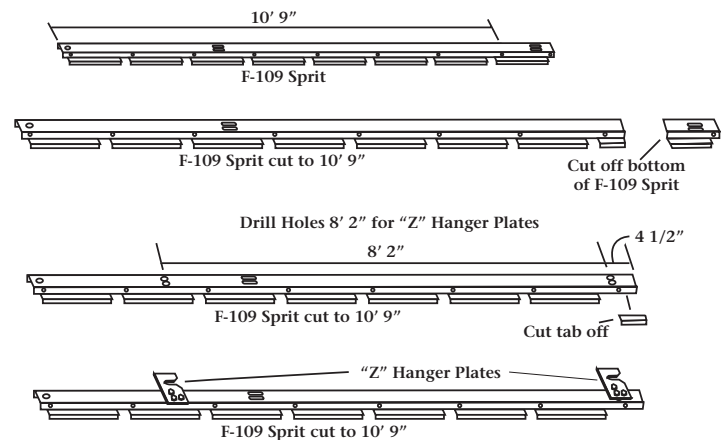
Cut the F-109 Sprits to 10' 9" by cutting off the bottom of the Sprits. Cut the tab off of the side of the Sprit at the bottom. Attach a Sprit Extension Kit to the bottom of each Sprit.

Note: If you are not recycling your sections and Sprits, order 2 or 3 FX-6 Sprits, "Z" Hanger Plates and 2" Hook Bolts with the Retrofit Kit above.

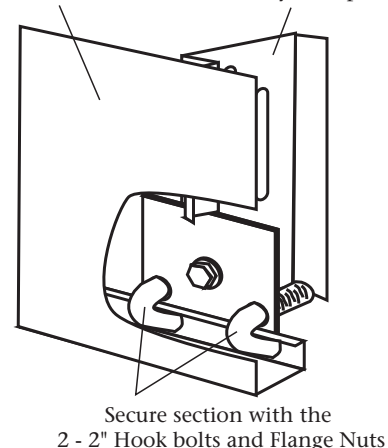
Recycling Sections



Recycling F-109 Sprits to FX-6 Sprits



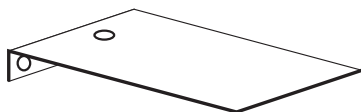
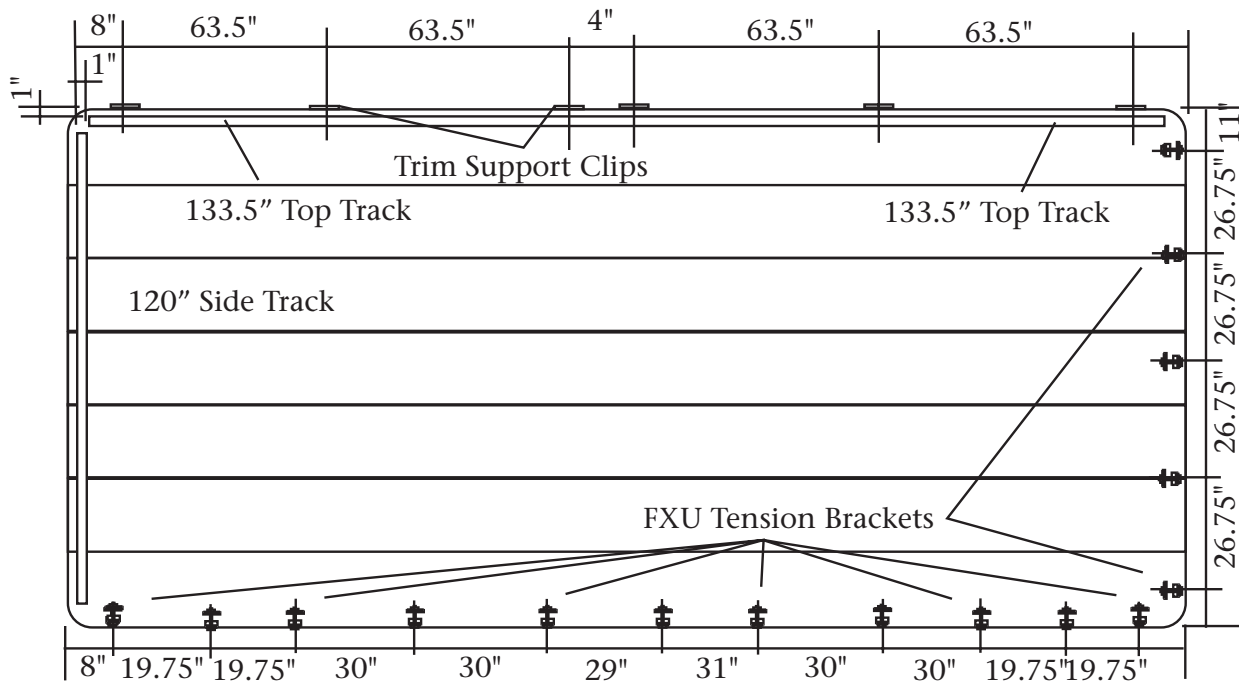
21' x 23' D/M Interlocking FX-6 Bottom Section Recycled Sprit



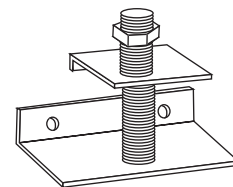
FX-6U Poster Panel

FX-6U Track & Tension Bracket Installation

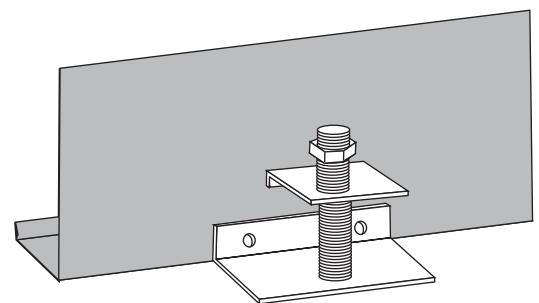
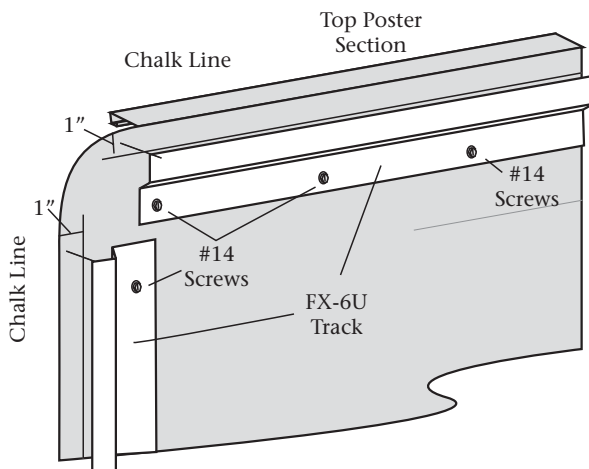
Follow the instructions for assembly of the FX-6 Poster Panel. Turn panel face up and install the two pieces of FX-6U 133.5" Top Track and the FX-6U 120" Side Track 1" down from top and side of face. Install the FX-6U Tension Clips across the bottom and opposite side.



FX-6U Top Trim Support



FX-6 Tension Bracket



FX-6U Poster Panel

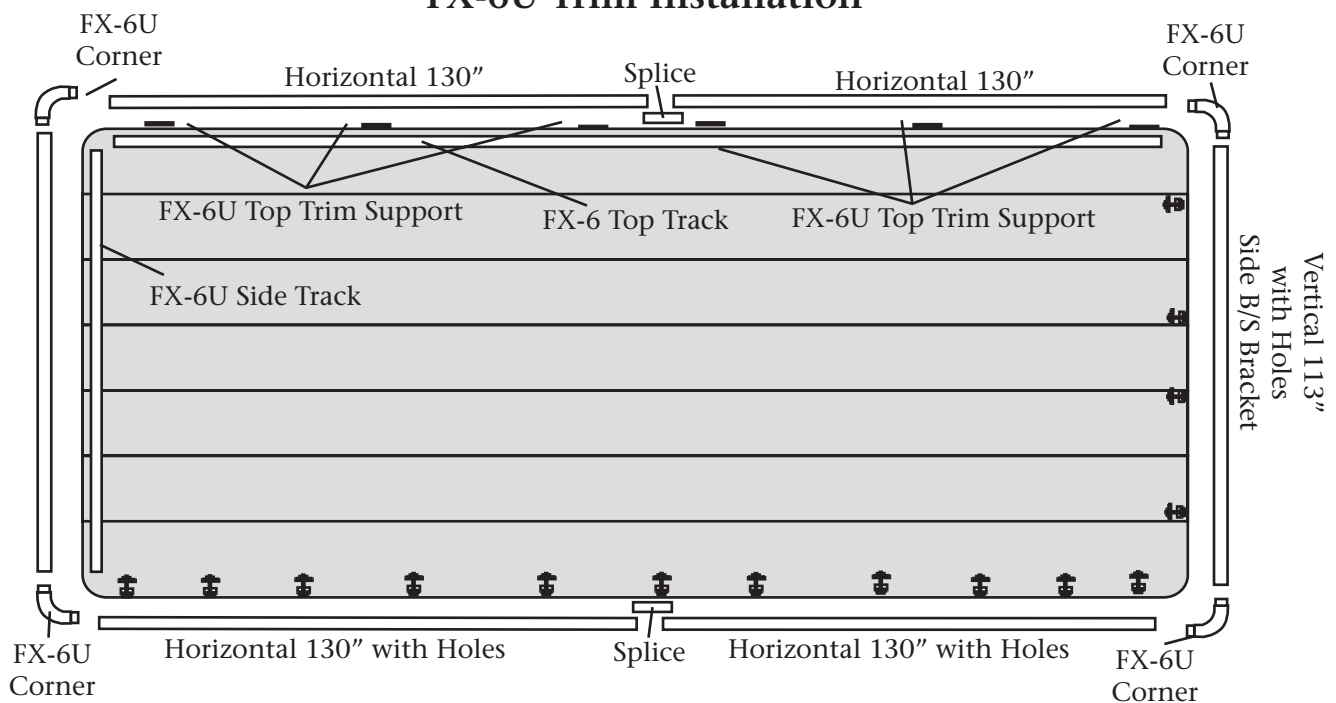
FX-6U Trim & Vinyl Installation

Place the FX-6U Trim Support Clips across the top of the section and install the FX-6U Top Trim pieces in place. Install the FX-6U Bottom Trim.

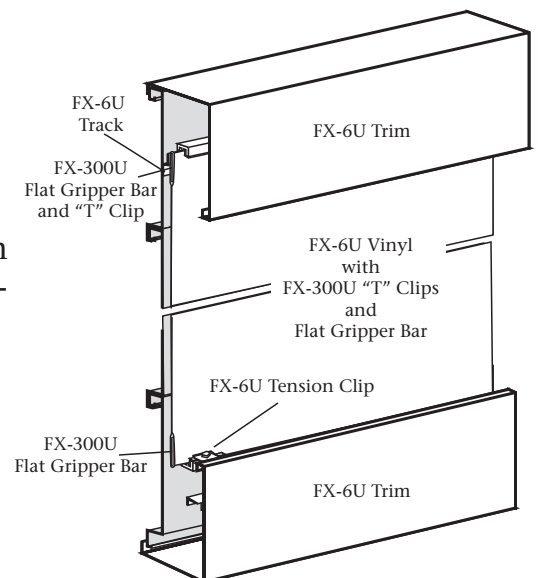
Secure FX-6U Corners to the FX-6U Side Trims and then insert the corners into the top and bottom trims. Secure with #10 SS Screws.

You are now ready to install vinyl and hang on the structure

FX-6U Trim Installation

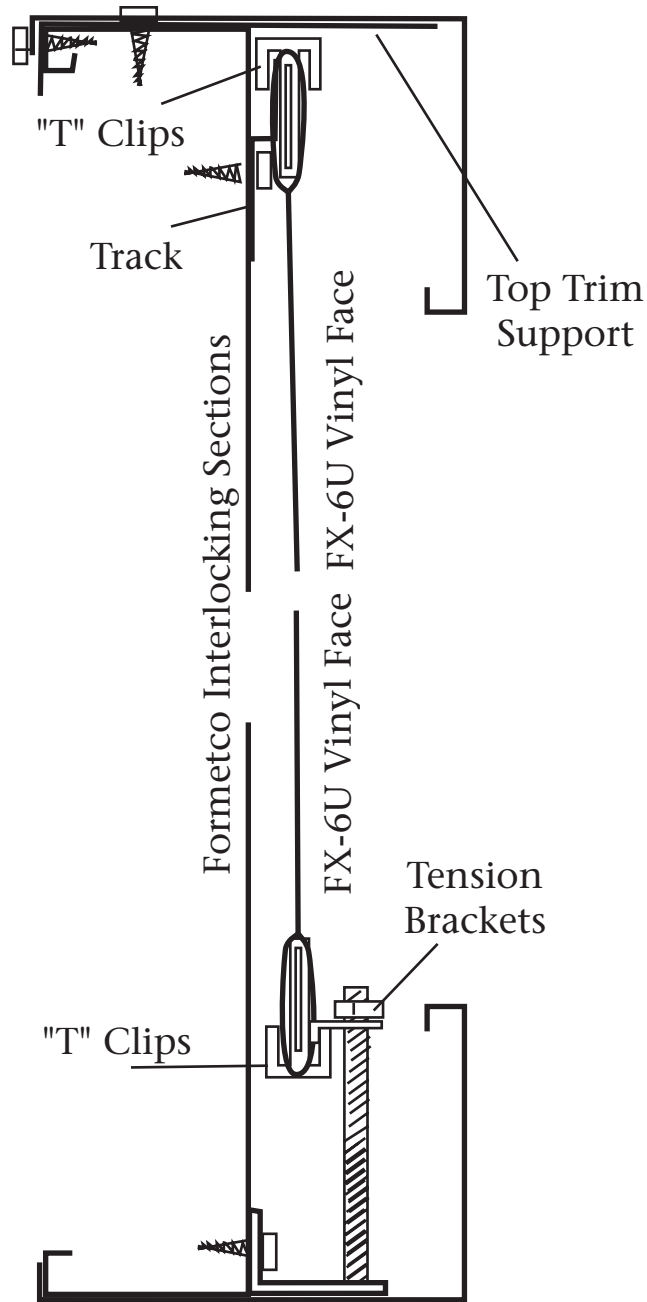


To install FX-6U Vinyl, first place "T" Clips on the top and side tracks. Attach the bottom and opposite side "T" Clips on the FX-6U Tension Brackets. Tighten the Tension Brackets using a socket and ratchet or drill.



FX-6U Poster Panel

FX-6U Vinyl Installation



FX-6U Sheet Vinyl Installed

Poster Panel Mounting Hardware

New Face Sections

Formetco New Face Sections allow you to give new life to old poster panels or paint faces. Nail or screw the Formetco New Face Sections over old wood batten faces or over old metal faces to renew posting or paintability of the old face.

The 10' 5" New Face Sections can be applied over old poster panel faces without removing the trim. The interlocking design of the New Face Sections cover the nail or screw heads for a smooth, flat posting or paint area.

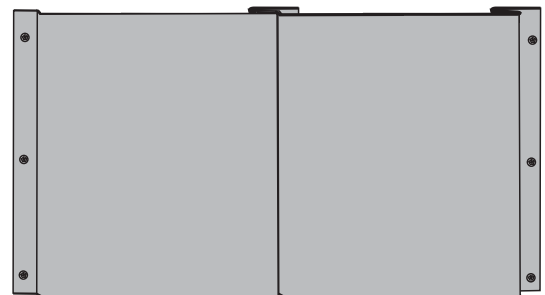
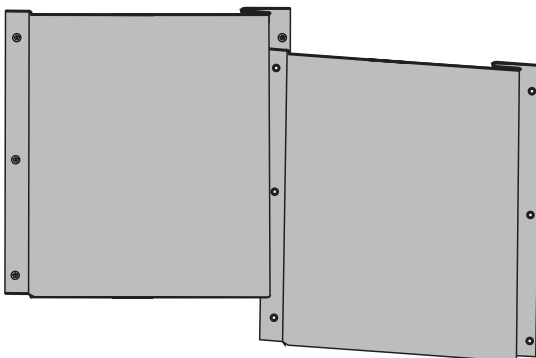
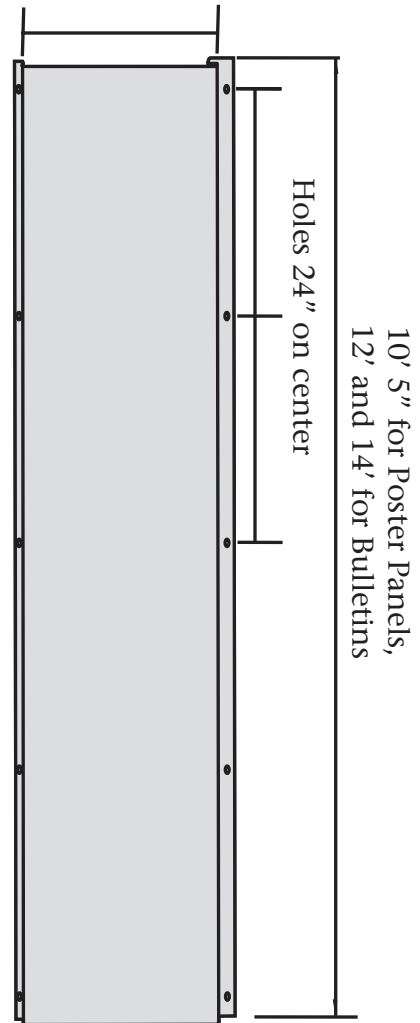
The New Face Sections are also available in 12' and 14' lengths for bulletins.



Start on the left side of the poster face as close to the trim as you can. Using #14 screws, secure both sides of the New Face Section to the face.

Apply the next New Face Section by sliding the left tab over the screws and into the slot. Secure the right side with the #14 screws. Continue until all 12 New Face Sections have been installed.

22 1/2" New Face Section face width



Poster Panel Mounting Hardware

New Face Sections

