

Wall Mounted Vinyls

Invisible Frame System & Wall Brackets



Wall Mounted Vinyls

Invisible Frame System -----	3 - 12
Components -----	4 - 5
IF Wall Layout and Bracket Installation -----	6 - 7
Bolts/Nuts Square Washer Installation -----	8 - 9
IF Frame, Corner Supports and Splice Plates -----	10
Flexible Vinyl Installation -----	11 - 12
Wall Brackets -----	13 - 17
Components -----	14
Wall Bracket Layout/Installation -----	15
Flexible Vinyl Installation -----	16 - 17
FX Vinyl Tensioning Brackets -----	18 - 24
Wall Layout -----	19
FX Vinyl Tensioning Bracket -----	20
FX Bracket Layout and Installation -----	21 - 23
Flexible Vinyl Installation -----	24

Invisible Frame System

Invisible Frame System can be made any size for indoor and outdoor flexible vinyls.



21' 8" x 49' 4" Invisible Frame System
Baltimore, MD

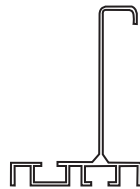
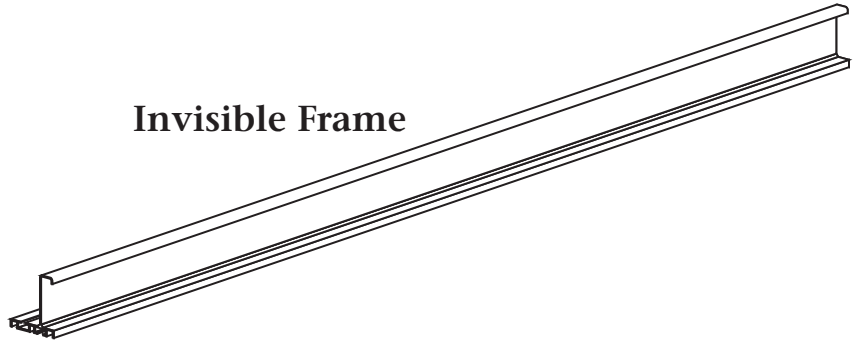


6' x 18' Invisible Frame System
Marietta, GA

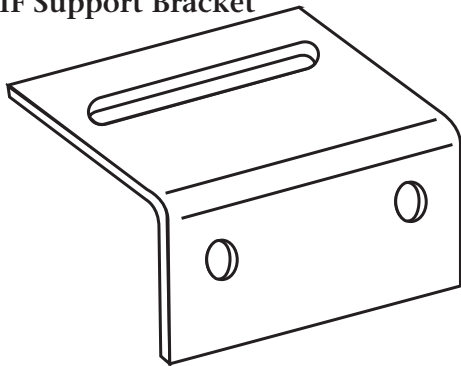
Invisible Frame System

The IF Frame Aluminum Extrusion is 3 1/4" deep and 4 1/2" high. When you order your IF Frame you order by the size of your copy area. The IF Frame Kit comes to you pre-cut to length and with the corners mitered. All you do is install the IF Frame to the wall.

Invisible Frame



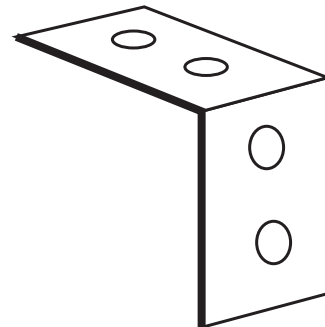
IF Support Bracket



The IF Support Brackets are made from 1/4" steel. We recommend 3 IF Brackets for 10' - 12' IF Frames and 2 IF Brackets for IF Frames 8' and less.

Bolts, lag screws etc. used to mount the IF Support Bracket to the walls are not included with the IF Kit.

IF Corner Support Brackets will keep the mitered corners in a tight fit for easy installation of the vinyl.



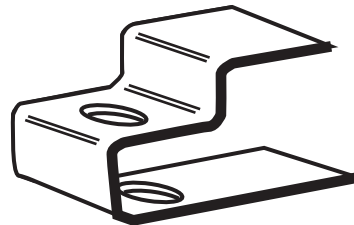
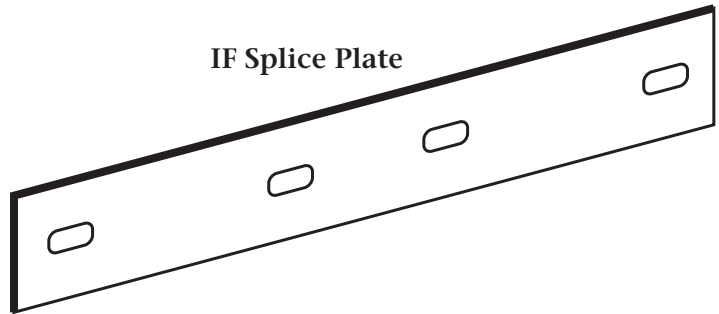
IF Clamp

Invisible Frame System

IF Splice Plates applied at butt joints in the IF Frame keeps them tight.

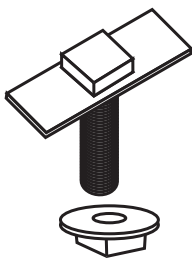
IF Clamps tension the vinyl behind the IF Frame therefore hiding the IF Frame from view.

IF Splice Plate

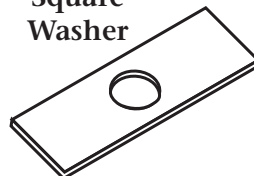


IF Support Bracket,
IF Corner Support
and IF Splice Plate
Attachment

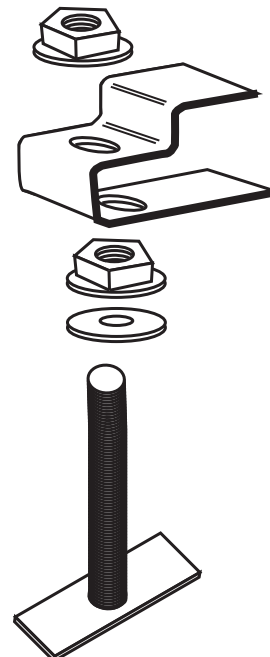
3/8" x 1" Sq Head Bolt
Square Washer
Flange Nut
2 per IF Support Bracket



Square
Washer



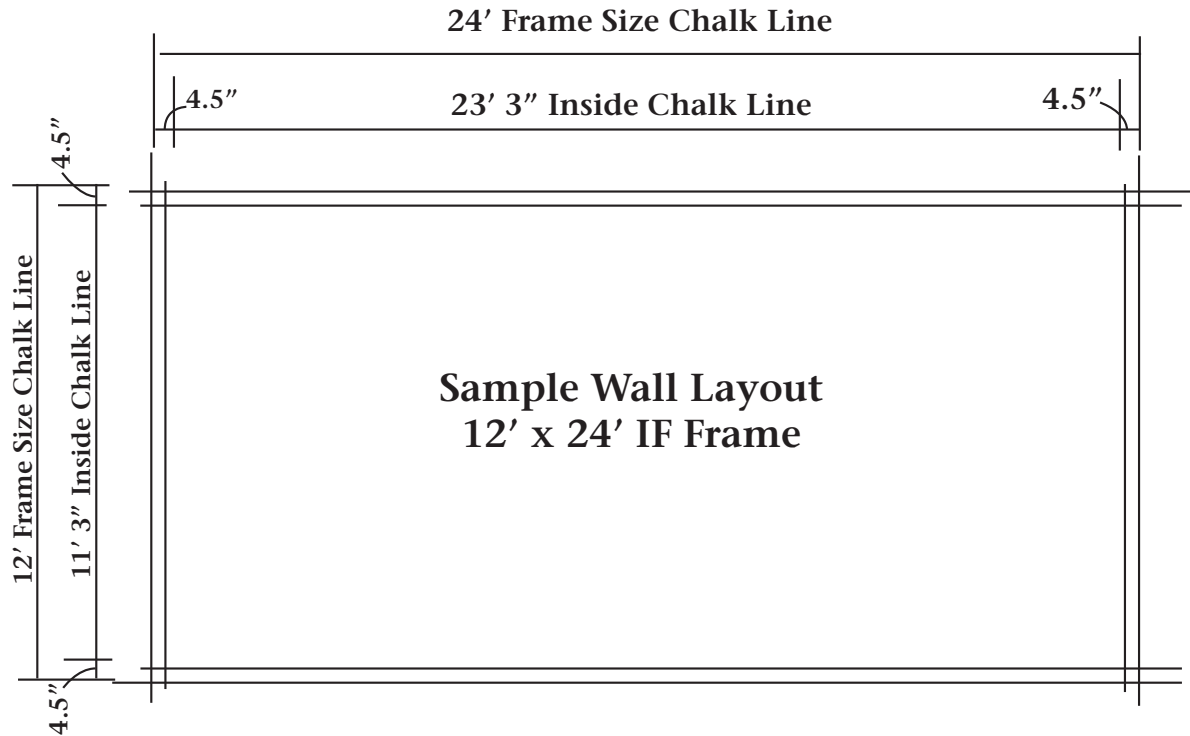
3/8" x 4" Bolt
IF Clamp
Flange Nuts
3/8" Washer



Invisible Frame System

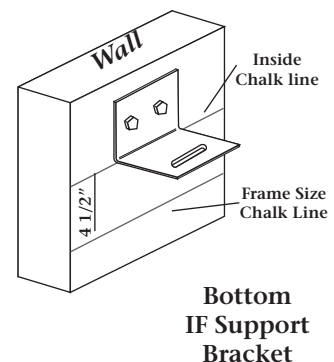
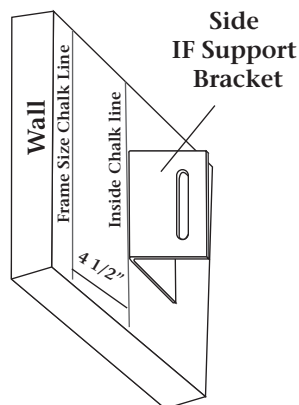
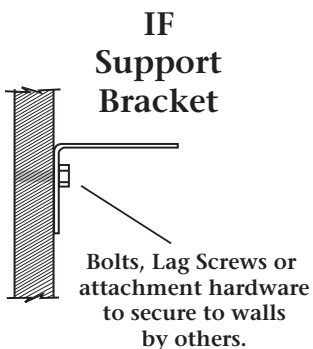
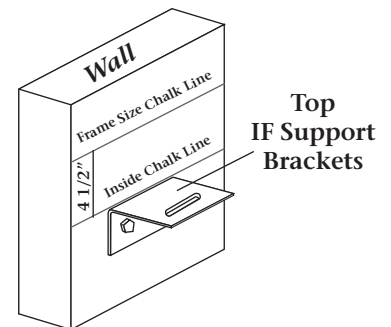
IF Frame Installation

First make chalk lines on the wall the size of your IF Frame. Then make a second set of chalk lines 4 1/2" inside the Frame chalk lines.

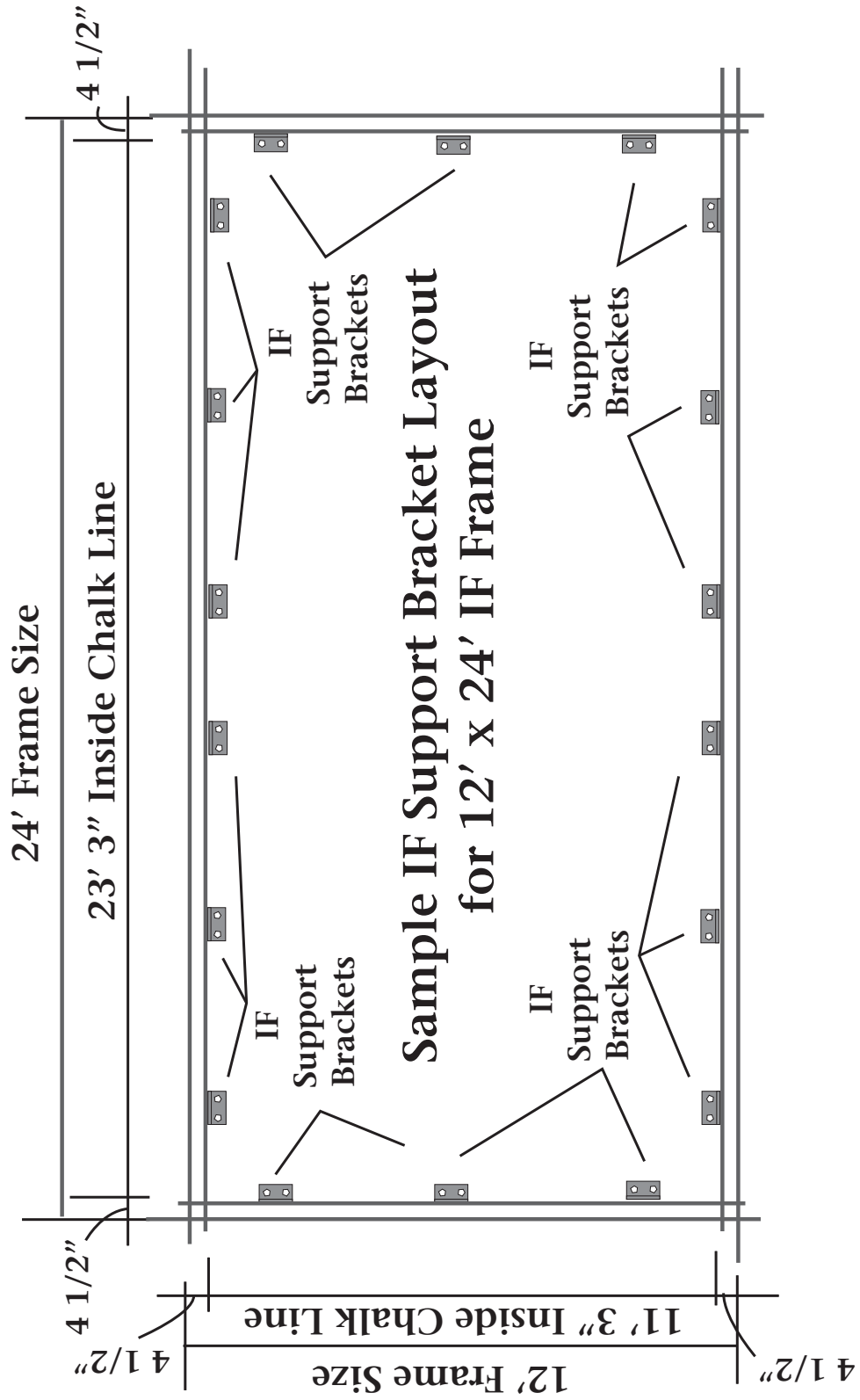


Install the IF Support Brackets flush with the inside chalk line facing out.

Note: Install IF Support Brackets at least 10" from corners and butt joints as to not interfere with the installation of IF Corner Supports or IF Splice Plates.



Invisible Frame System



Invisible Frame System

Take an IF Frame piece and slide 2 - 3/8" x 1" Square Head Bolt and Square Washer in the bottom slot for each IF Support Bracket, IF Corner Support and IF Splice Plate (if needed). Bolts should be facing to the inside of the IF Frame. Space the bolts out in the approximate location of the IF Support Brackets.

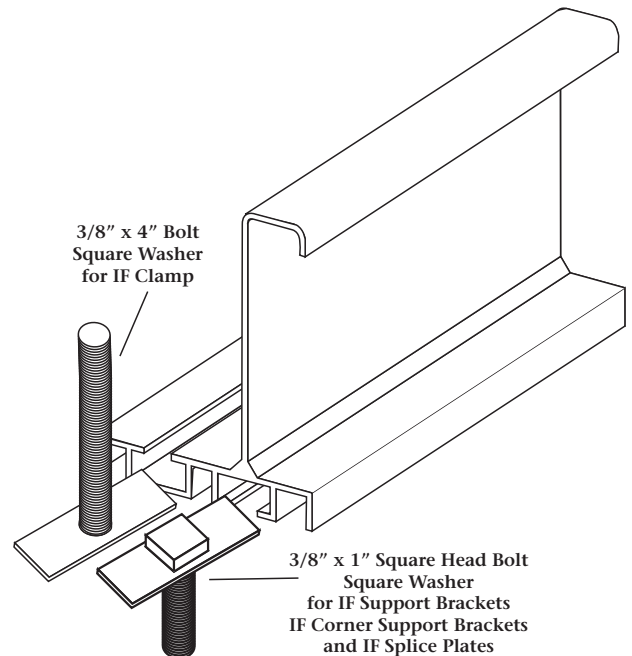
At this time loosely install an IF Corner Support and/or an IF Splice Plate to the IF Frame.

Place IF Frame on the IF Support Brackets and tighten the Flange Nuts.

Continue installing the IF Frames until all have been installed.

Now tighten all of the bolts and Flange Nuts.

You are ready to install the vinyl.



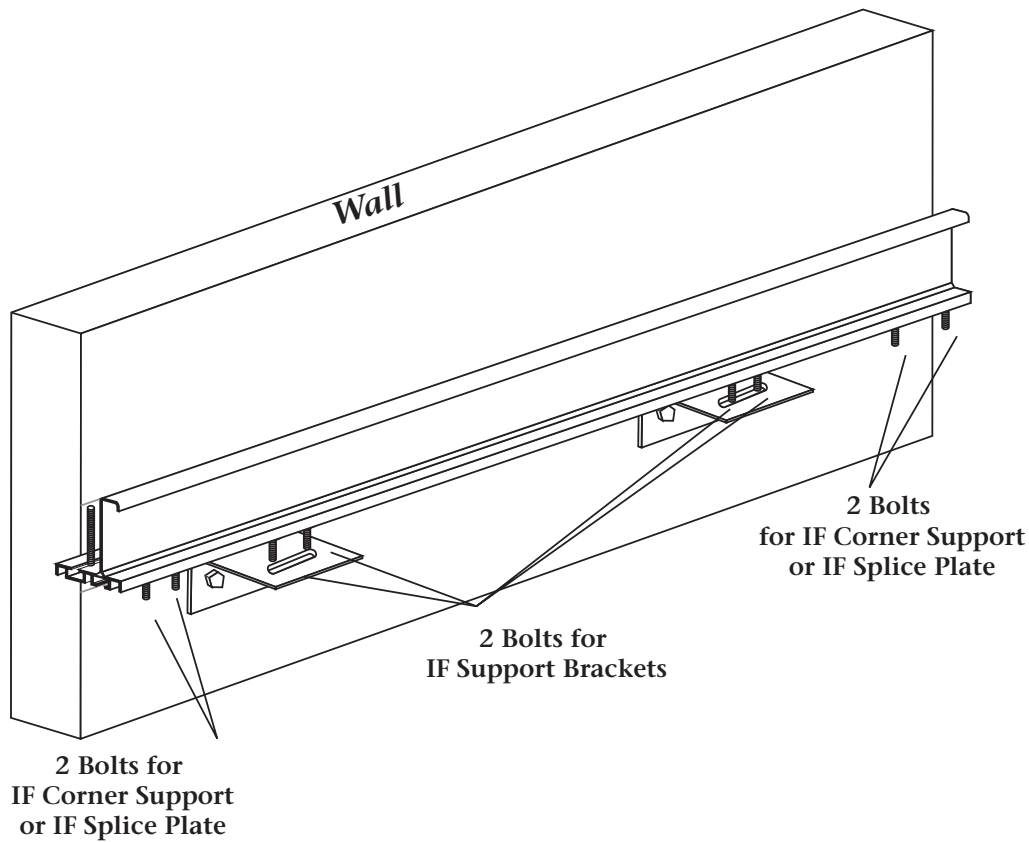
IF Corner Support

IF Splice Plate



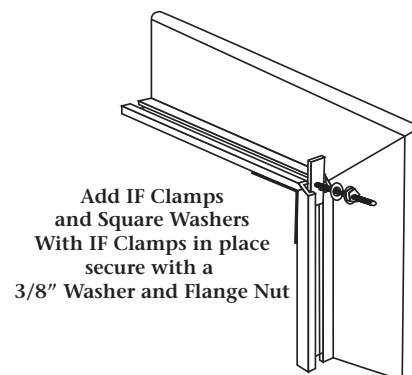
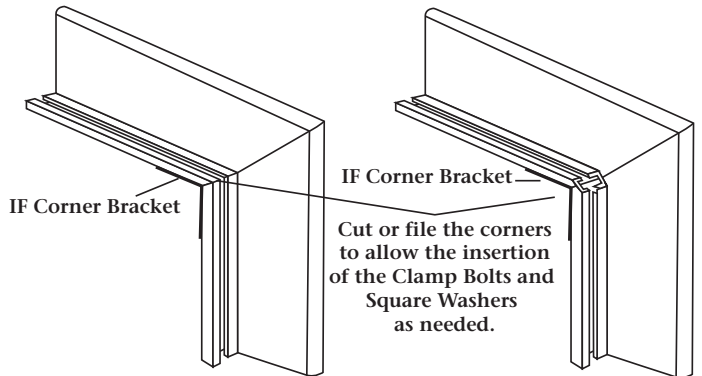
Before installing the IF Frame slide 2 - Bolts and Square Washers in frame for each IF Corner Support or IF Splice Plate. Also, slide 2 - Bolts and Square Washers in frame for each IF Support Bracket.

Invisible Frame System

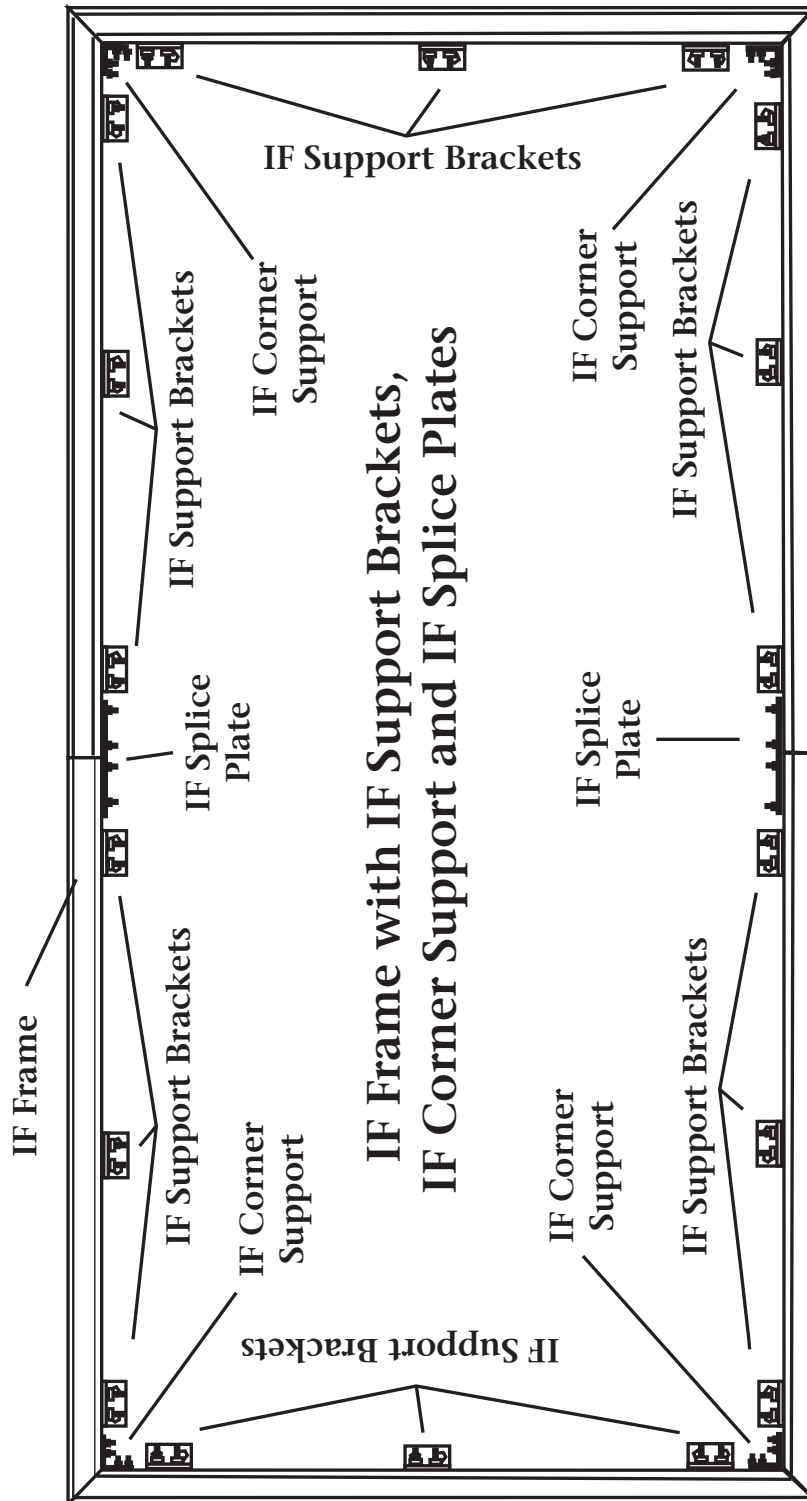


To make it easier to insert the 4" Bolts for the IF Clamps, file or cut the corner of the mitered IF Frame, see illustration.

You can now insert all the IF Clamp bolts with the Square Washer that you need.



Invisible Frame System



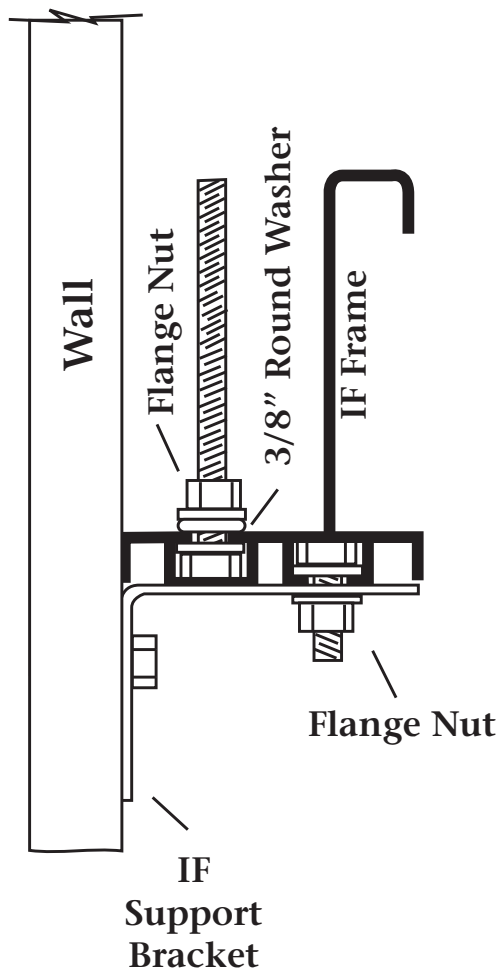
Invisible Frame System

IF Vinyl Installation

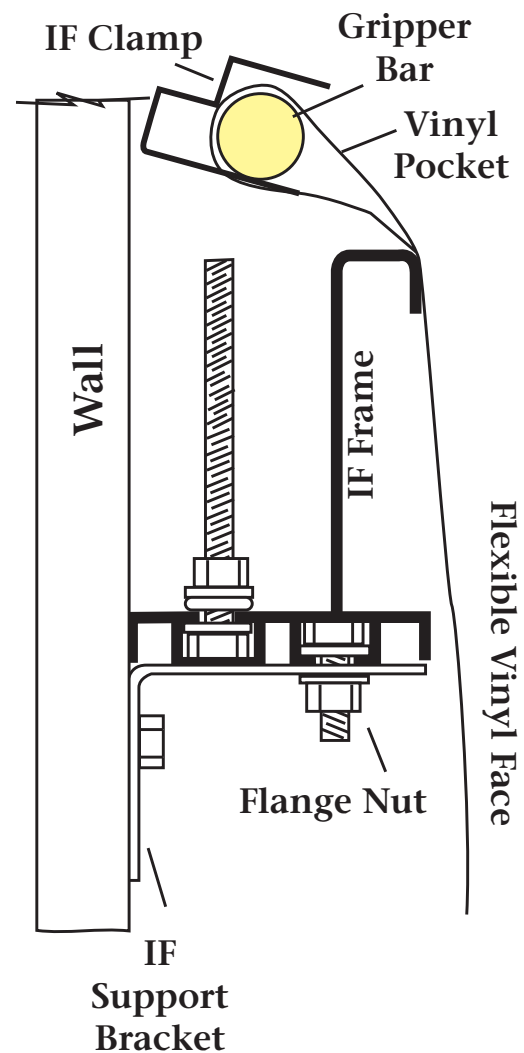
Slide the 4" bolt in place and secure with a Flange Nut.

Install the Gripper Bars into the pockets of the vinyl face. Place an IF Clamp over the Gripper Bar and vinyl. Rotate over and onto the 4" bolt.

Insert the 4" Bolts with Square Washers in IF Frame. When in position secure the bolts with Flange Nuts



Place a IF Clamp over the vinyl pocket and Gripper Bar. Place IF Clamp on the 4" Bolt.



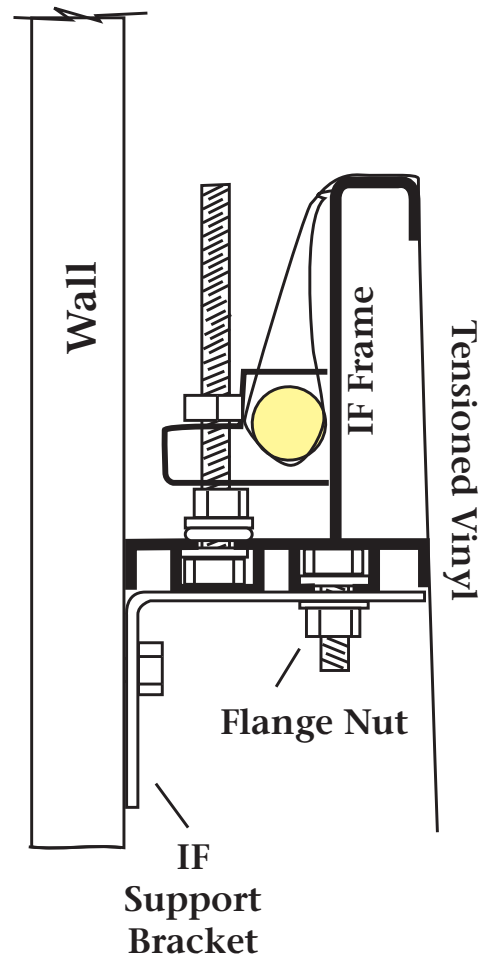
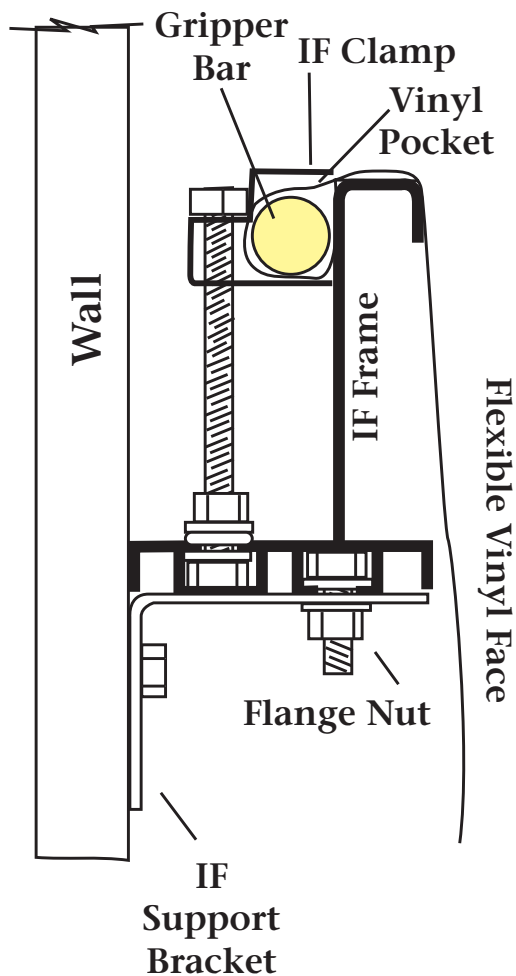
Invisible Frame System

IF Vinyl Installation

Slide the IF Clamp down on the bolt and place a Flange Nut on the bolt and tighten just enough to hold in place. After all of the IF Clamps have been placed on the bolts, start tightening the Flange Nuts using a 3/8" deep well socket until the vinyl is taut.

With IF Clamp on Bolt
hold in place with a
Flange Nut.
Do not tighten
at this time.

With all IF Clamps
in place on the bolts,
using a 3/8" deep well
socket tension all
of the IF Clamps.



Formetco Wall Brackets

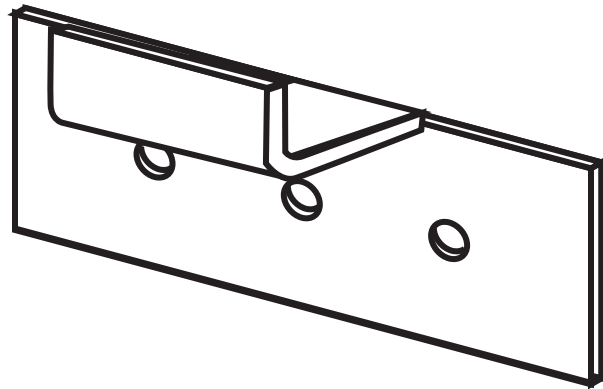


Formetco Wall Brackets

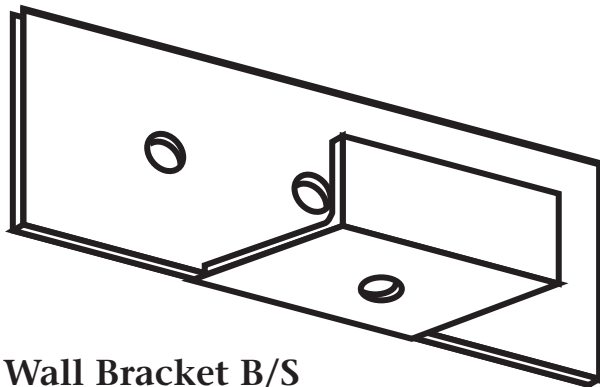
Wall Bracket T/S (top & sides) mounted across the top and one side of the vinyl sign area.

The Wall brackets are made form 3/16" steel.

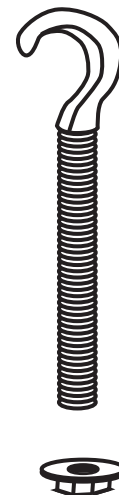
The Wall Bracket T/S supports the Gripper Bar and vinyl.



Wall Bracket B/S (bottom & sides) installed on the opposite side of the Wall Bracket T/S. With the 6" FX Hook Bolt and Flange Nut to tension the vinyl.



Wall Bracket B/S
Used on Bottom and
one side to tension vinyl



6" FX Hook Bolt
with Flange Nut

Formetco Wall Brackets

Wall Bracket Layout

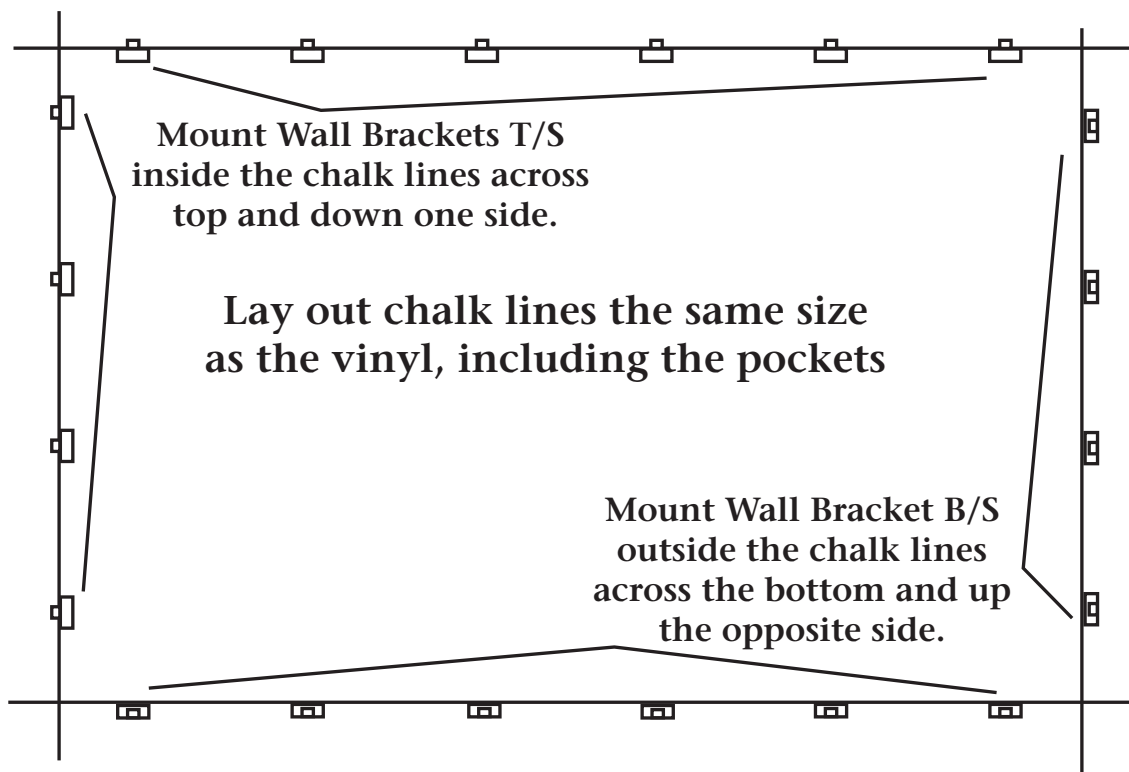
Using chalk lines, lay out the size of your flexible vinyl including the pockets. Mount the Wall Bracket T/S across the top, flush with the top chalk line, inside the chalk line. Now mount one side the same way.

Next, mount the Wall Bracket B/S across the bottom, flush with the bottom chalk line, outside the chalk line. Now do the opposite side the same way.

Place a 4" FX Hook Bolt into each Wall Bracket B/S and place a Flange Nut on each bolt.

Note: Bolts, lag screws etc., needed to attach the Wall Brackets to the wall are not provided.

Wall Brackets are painted gray to make less noticeable, but you may paint the same color as the wall.

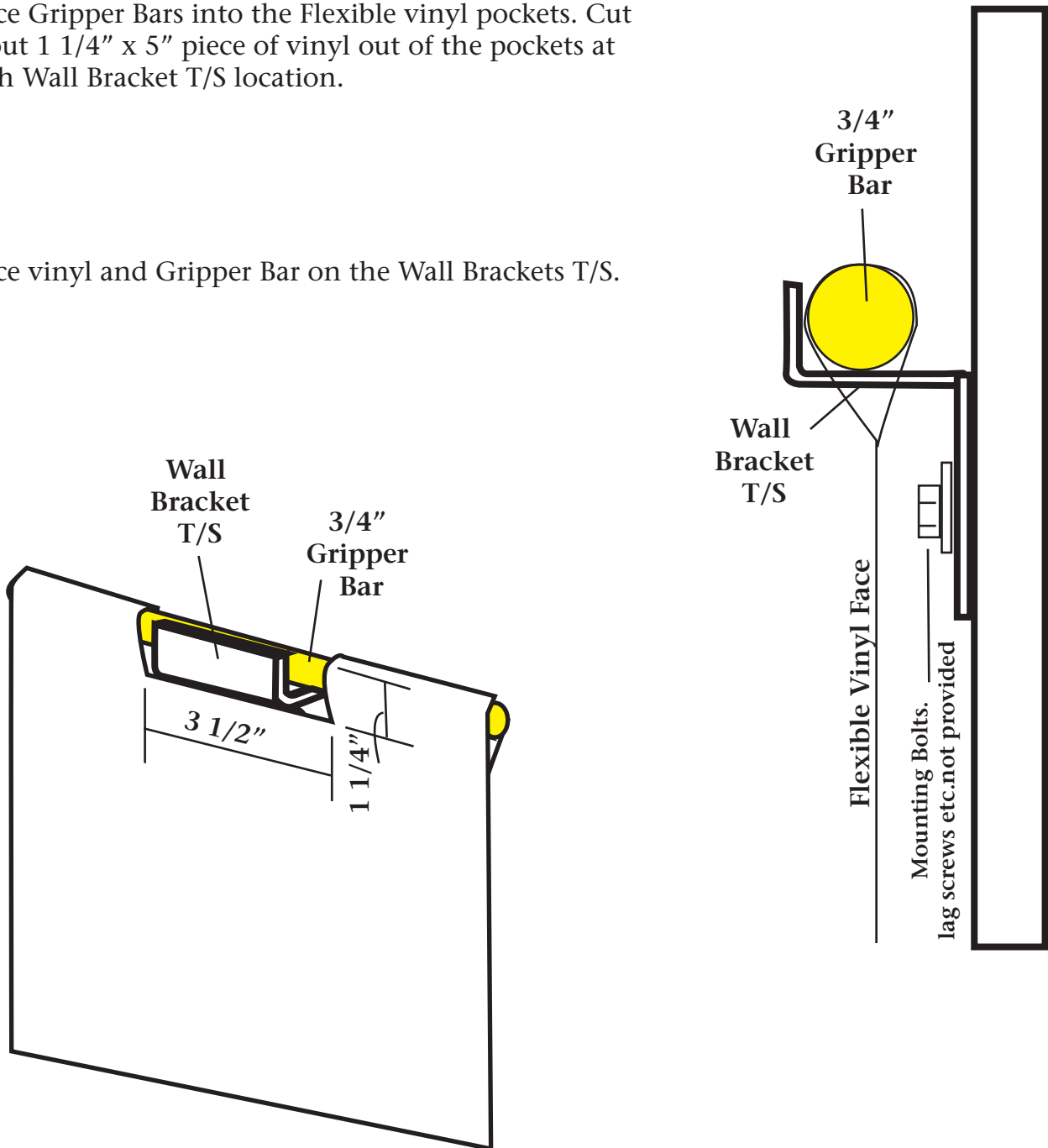


Formetco Wall Brackets

Wall Frame Vinyl Installation

Place Gripper Bars into the Flexible vinyl pockets. Cut about 1 1/4" x 5" piece of vinyl out of the pockets at each Wall Bracket T/S location.

Place vinyl and Gripper Bar on the Wall Brackets T/S.

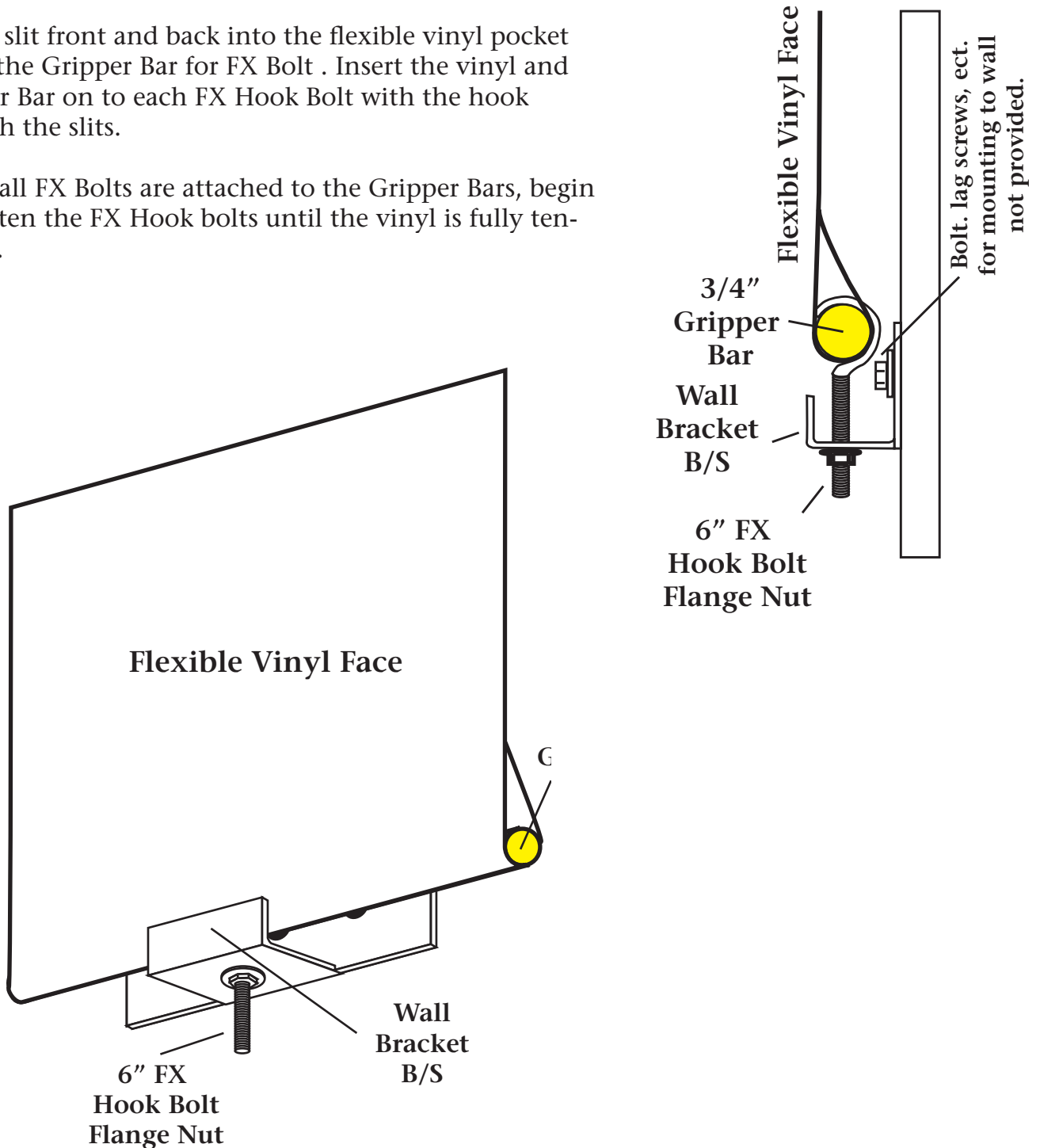


Formetco Wall Brackets

Wall Frame Vinyl Installation

Cut 1" slit front and back into the flexible vinyl pocket above the Gripper Bar for FX Bolt . Insert the vinyl and Gripper Bar on to each FX Hook Bolt with the hook through the slits.

When all FX Bolts are attached to the Gripper Bars, begin to tighten the FX Hook bolts until the vinyl is fully tensioned.



Frameless Wall Mounted Vinyls Adjustable FX Vinyl Tensioning Bracket



This 47' x 68' is installed in Pigen Forge, TN for a Lamar client.
They were printed by Formetco for Lamar. See Page 24



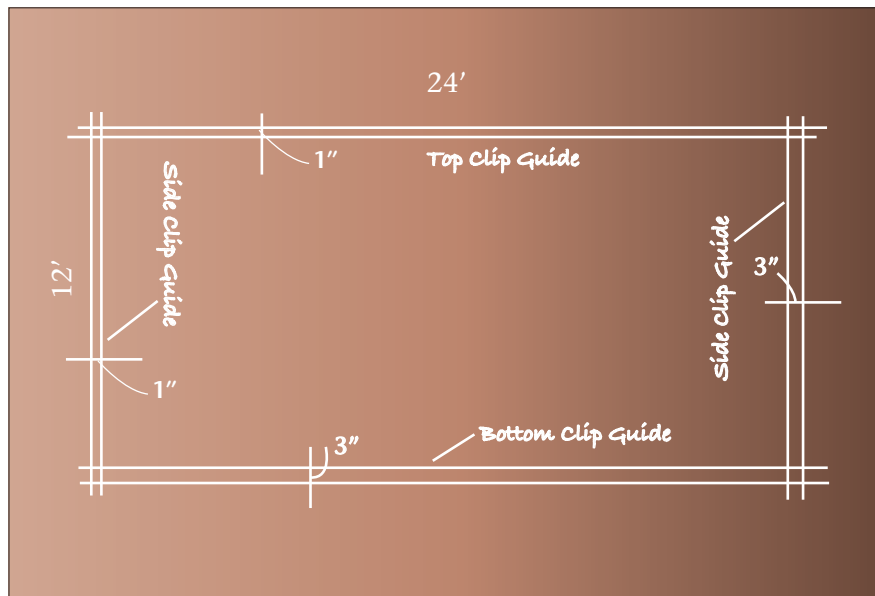
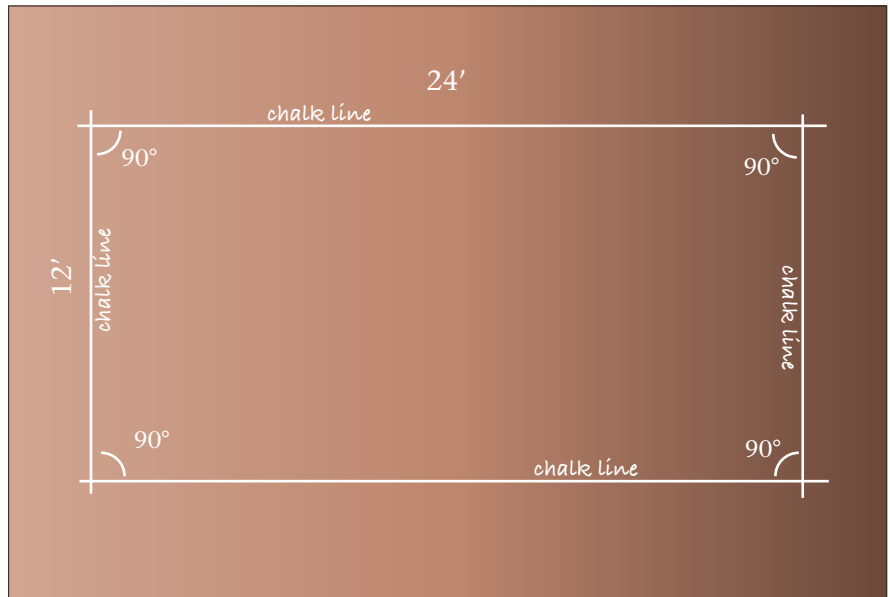
Frameless Wall Mounted Vinyls

Adjustable FX Vinyl Tensioning Bracket

Wall Layout

Using chalk, or other means, layout the copy area of the vinyl you intend to install.

Make sure that you keep it square and that you have each corner at a 90° angle.



Next, make a chalk line 1" below the top copy area chalk line and one 1" inside one of the side chalk lines.

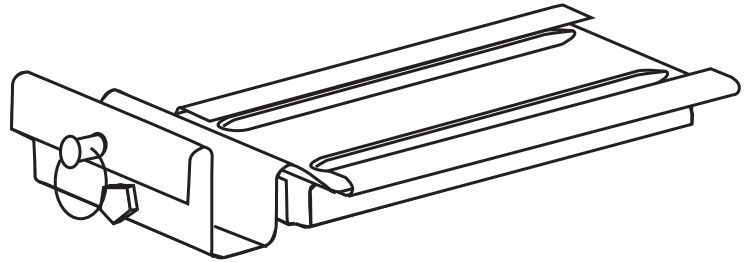
Now make a chalk line 3" above the bottom chalk line and on the opposite side chalk line.

These will be the installation lines for the FX Vinyl Tensioning Bracket Base.

Frameless Wall Mounted Vinyls

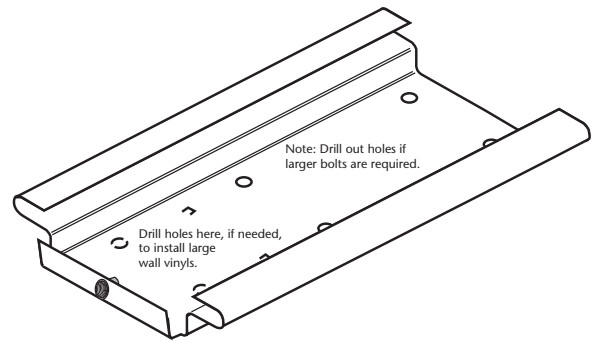
Adjustable FX Vinyl Tensioning Bracket

The FX Vinyl Tensioning Bracket comes assembled. To ease installation of the FX Bracket to the surface use a socket or adjustable wrench and remove the adjustable slide from the base.

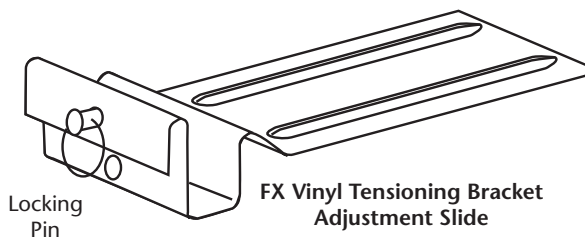


FX Vinyl Tensioning Bracket

The FX Bracket Base has 4 - 1/4" mounting holes (2 at top and 2 at the center). These can be drilled out to accept larger bolts, lags or screws. If needed, 2 holes can be drilled at the bottom.

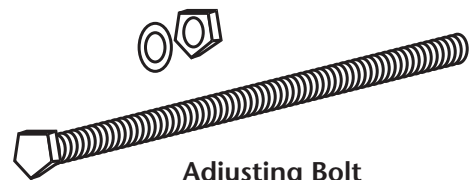


FX Vinyl Tensioning Bracket Base



Locking Pin

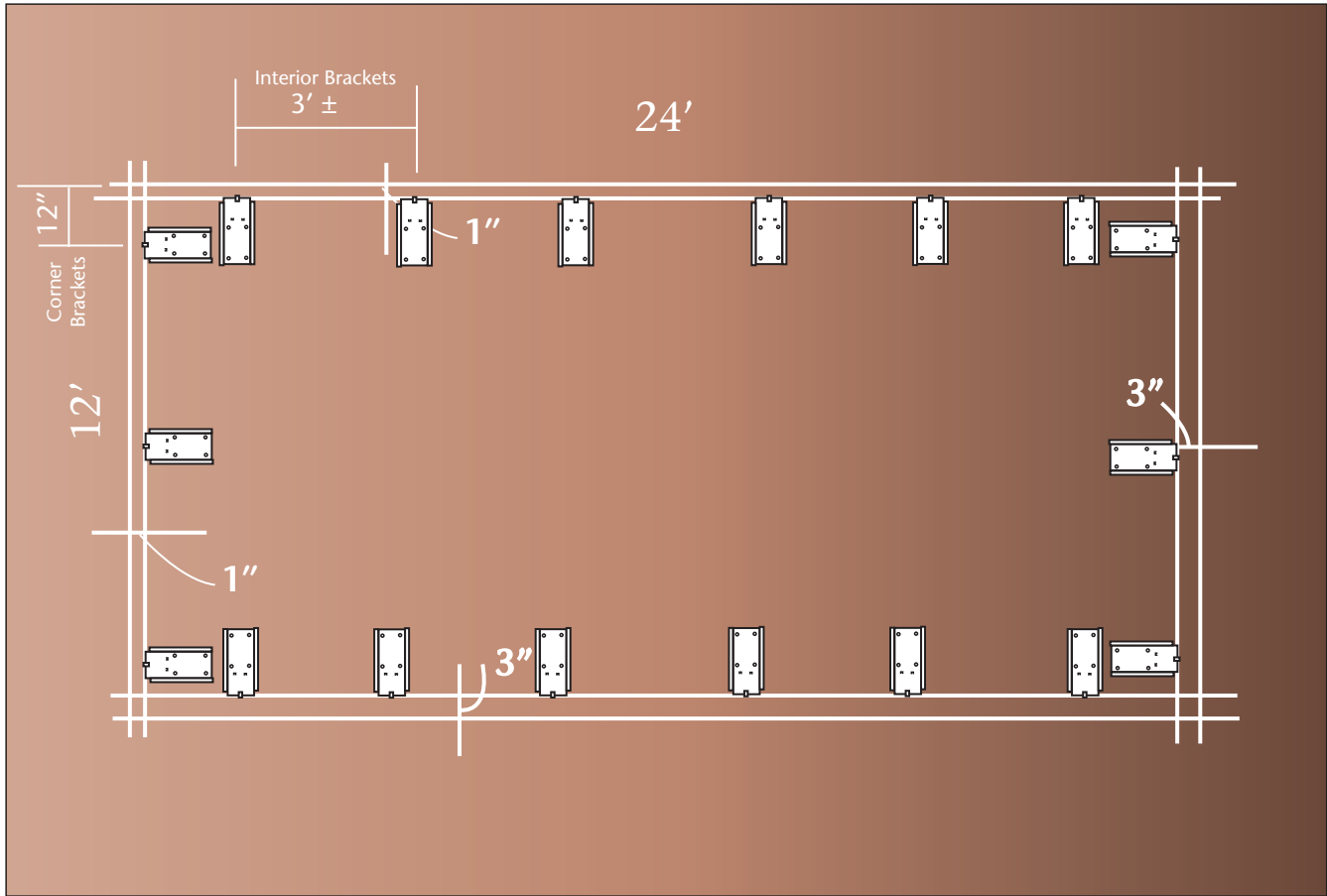
FX Vinyl Tensioning Bracket Adjustment Slide



Adjusting Bolt with Nut and Washer

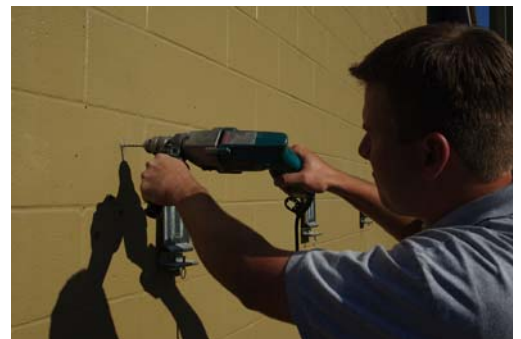
Frameless Wall Mounted Vinyls

Adjustable FX Vinyl Tensioning Bracket



Place the corner FX Brackets in 12" from each corner. Then, the rest of the FX Brackets should be placed at least every 3'. For best results, align the FX Brackets top to bottom and side to side. (See Page 22)

Note: Bolts, Lags or Screws to attach FX Brackets to wall are supplied by others.

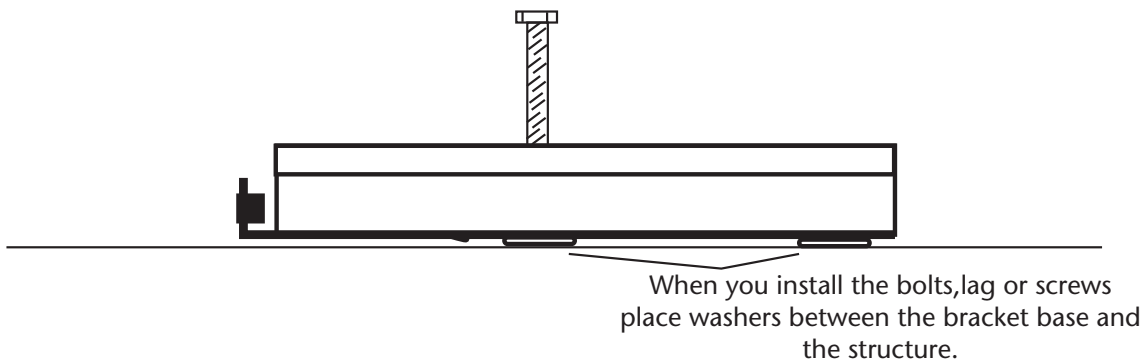
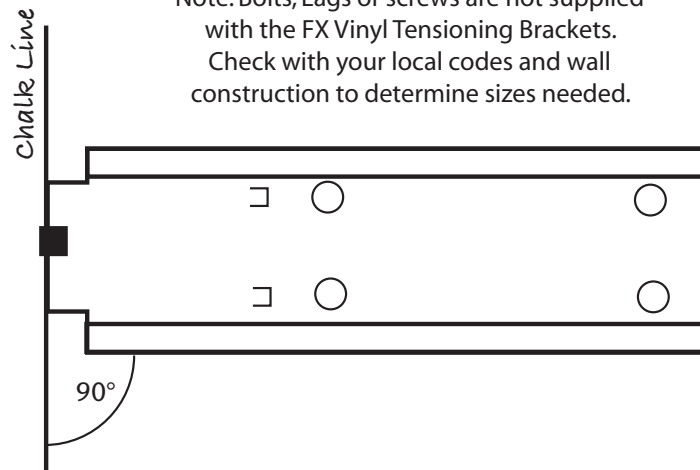


Frameless Wall Mounted Vinyls

Adjustable FX Vinyl Tensioning Bracket

Use Base to mark hole locations on wall.
Make sure the FX Bracket is 90° to the chalk line.
If larger bolts, lags or screws are required, drill the holes out to fit.

Note: Bolts, Lags or screws are not supplied with the FX Vinyl Tensioning Brackets.
Check with your local codes and wall construction to determine sizes needed.



Install Bracket slide into bracket base and tighten all the way before installing the vinyl.

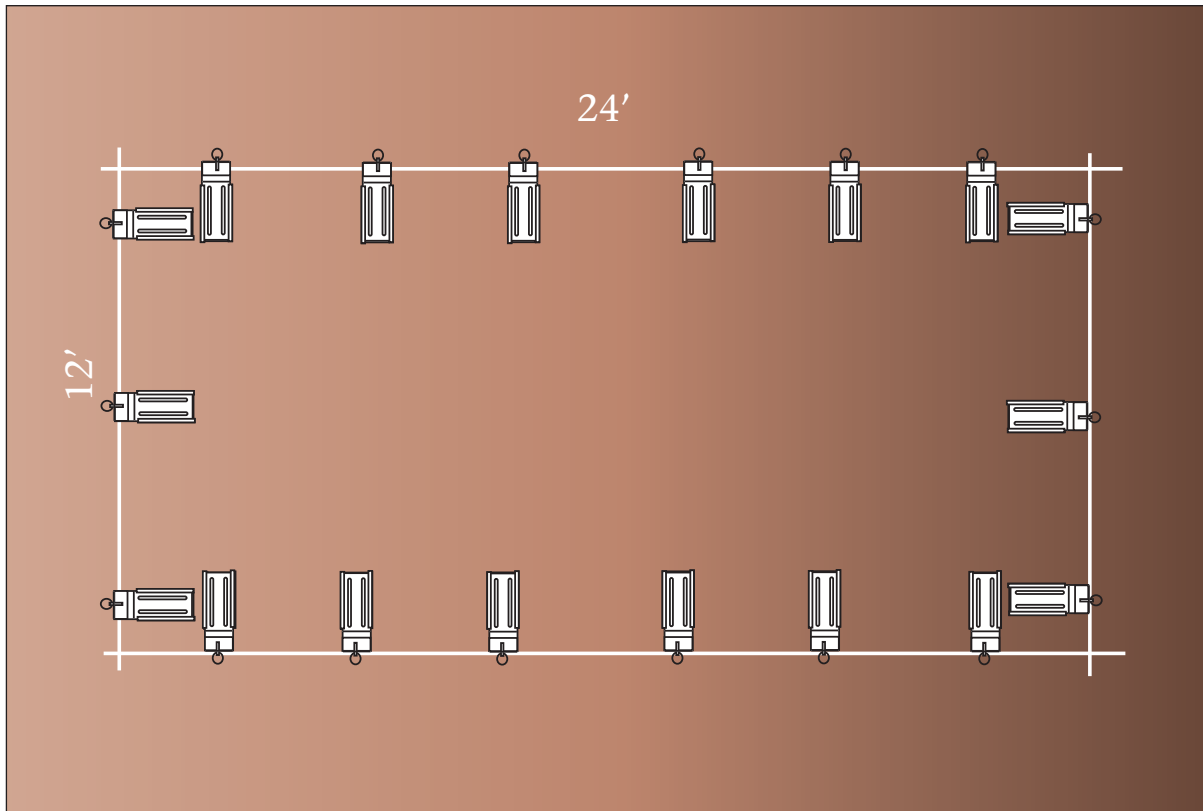


Frameless Wall Mounted Vinyls

Adjustable FX Vinyl Tensioning Bracket

Now that the FX Vinyl Tensioning Brackets have been installed and the brackets are re-assembled you are ready to install the vinyl.

The FX Vinyl Tensioning Brackets give you the flexibility of installing vinyls up to 3" smaller than the copy size and up to 6" larger than copy size.

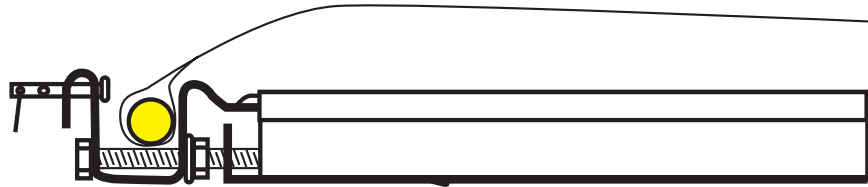


Frameless Wall Mounted Vinyls

Adjustable FX Vinyl Tensioning Bracket

Place the gripper bars in the top pocket. Place the vinyl and gripper bars in the FX Brackets and snap the Locking Pin closed. You need to weld or seal the bottom of the side pockets to keep the gripper bars from dropping out. Place the side vinyl and gripper bars in the side FX Brackets and snap the Locking Pin closed. Now do the same across the bottom.

Tension the vinyl on the bottom and one side until tight.



Place Gripper Bars in vinyl pockets and insert into the FX Vinyl Tensioning Bracket. Lock the Locking Pin. When the vinyl and Gripper Bars have been installed in all of the brackets start tensioning the FX Vinyl Tensioning Brackets across the bottom and up the side.



This 14' x 48' is installed in Pigen Forge, TN for a Lamar client.

They were printed by Formetco for Lamar.
See Page 18