

The TPI *EZ-Hoist*[®] System

An affordable lift system that makes installs easy and safe.



This system allows one operator to handle 250lb loads with ease.

Quick release pin system makes it easy to remove and install the pole assembly.

Assembly Instructions

TPI EZ-Hoist®

The TPI EZ-Hoist® system was developed by TPI Technology Group, Inc. to specifically address the safety and efficiency requirements of the Outdoor Advertising Industry.

- *Low-cost with a rapid pay-back of investment*
- *Elimination of stressful roping which will reduce injuries and lost-time accidents*
- *Safe and efficient handling of 250 lb loads including vinyls, tri-visions, extensions, maintenance items, etc.*
- *One person set-up and take-down of Pole Assembly for operation and out-of-sight storage*
- *Simple, one-time installation of the permanent structural support component*
- *Reduction of crane truck dependence and crew size*
- *Outdoor durability for long life*

Table of Contents

Pole Mounting Structure	3
Pole	3
Composite	3
Aluminum	3
Pole Structure Dimensions & Details	4
Pole Mounting Structure Installed	5
Pole Installation and Storage	5

TPI EZ-Hoist®

TPI EZ-Hoist® Components

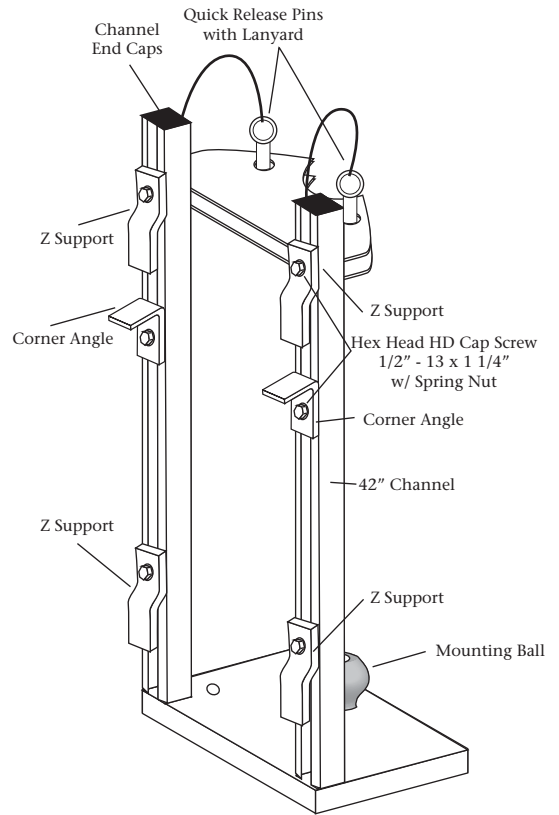
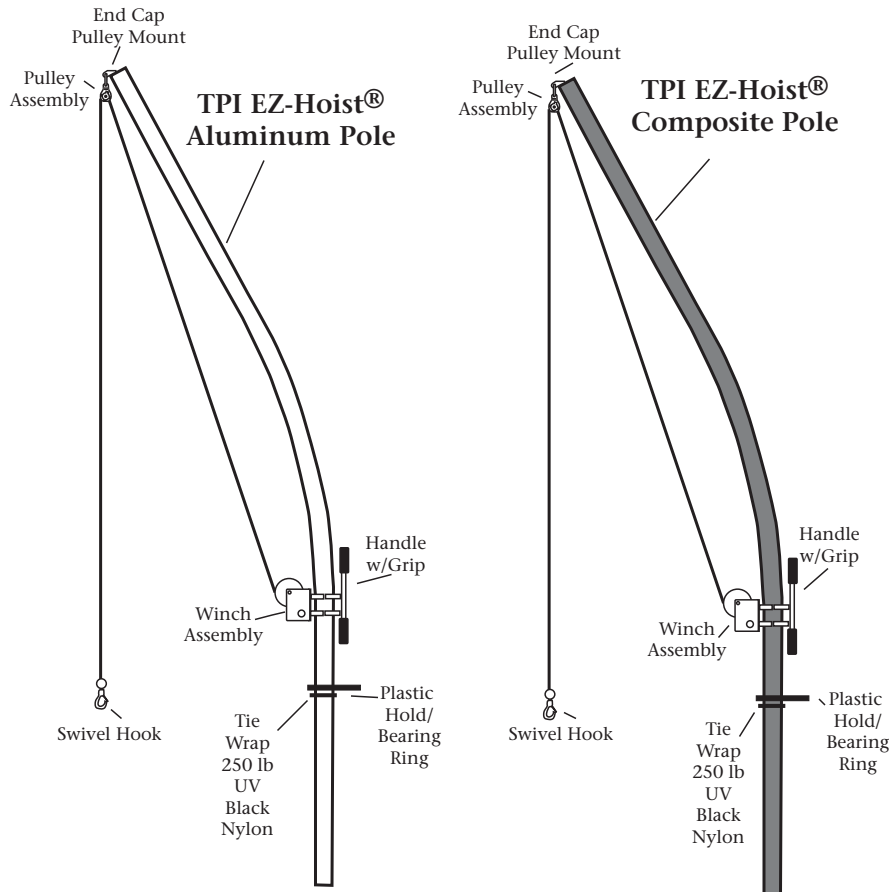
Pole Mounting Structure

To function properly, the Pole Mounting Structure needs to be fully placed on a firm foundation, such as a scaffold, and mounted vertically and securely.

Pole

The TPI EZ-Hoist® Pole is available in a lightweight Aluminum Pole (35 lbs with winch and 120' cable) or a non-conductive Composite Pole (51 lbs with winch and 120' cable).

Each is high strength, non-corrosive, long-life and weather resistant.



TPI EZ-Hoist® Pole Mounting Structure

Winches available with 120' or 200' cables.

Winches can be operated with Hand Crank or Power Drill.

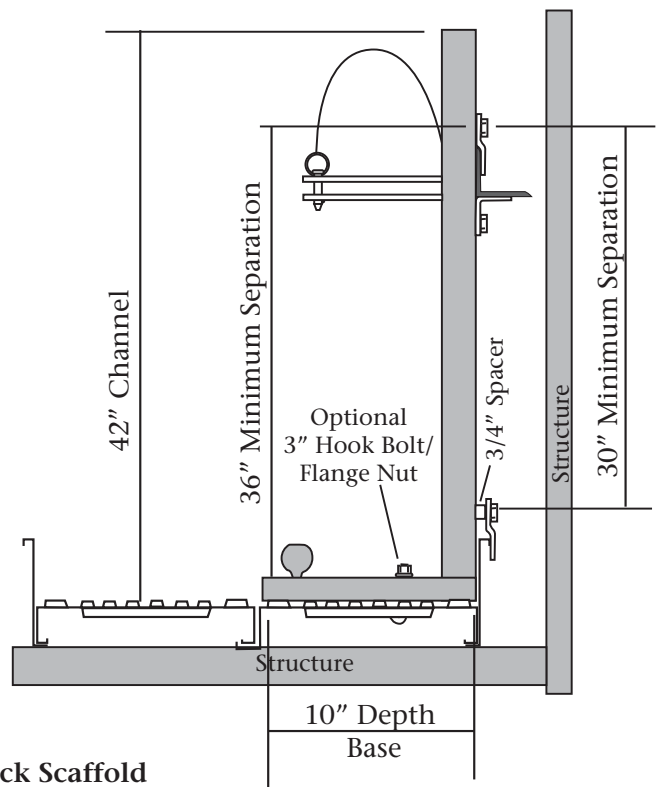
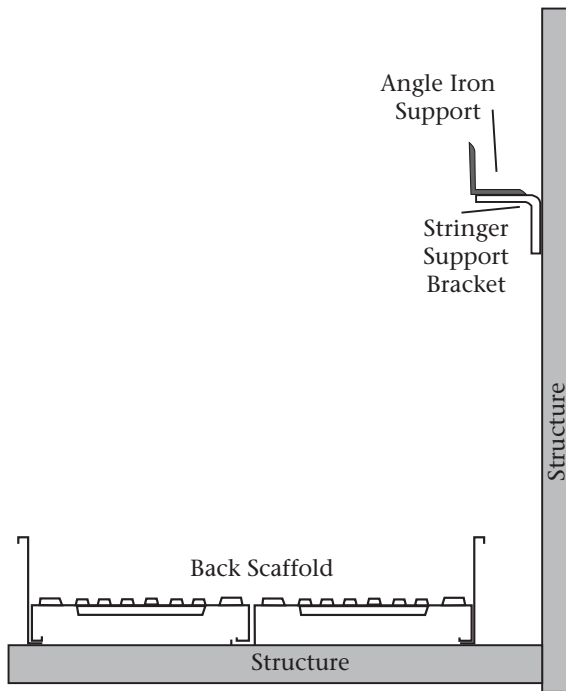
Preferred drills are:

- Milwaukee Electric Tool 28 volt 1/2" RAD drill model 0721-21 (battery powered)
- Milwaukee Electric Tool 1/2" Hole Hawg model 1680-20 (AC powered)

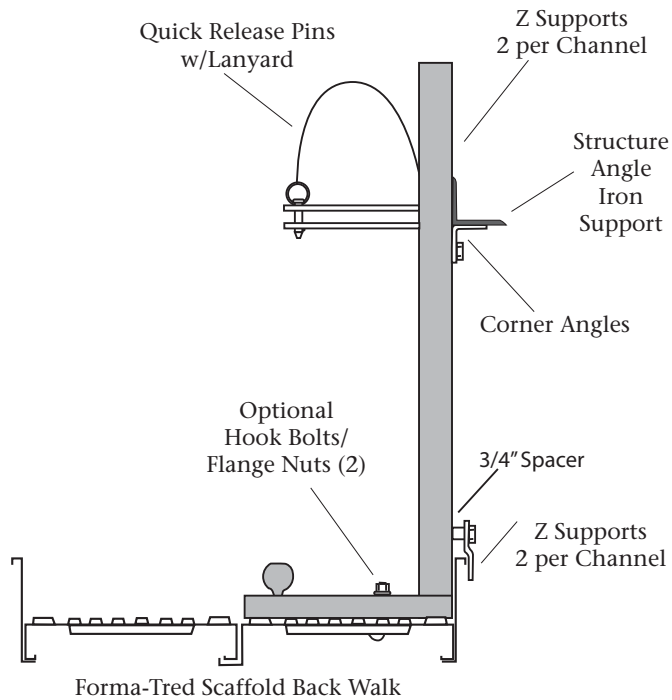
Lift Capacity - 250 lbs.

TPI EZ-Hoist®

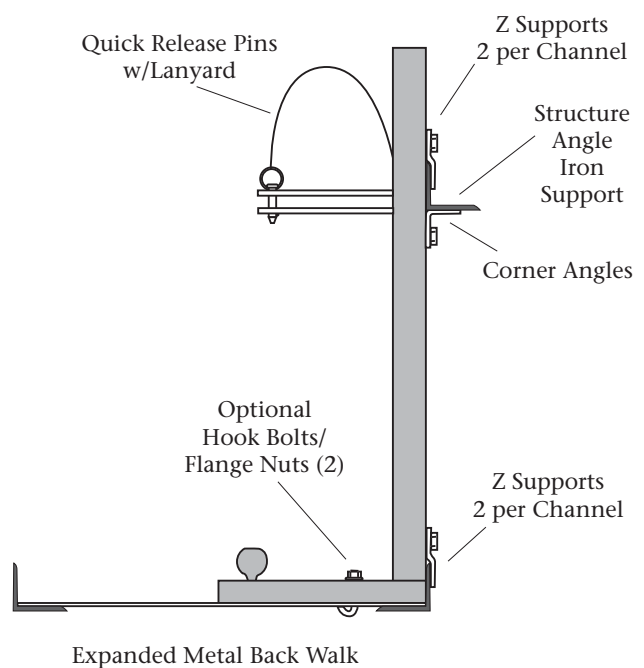
Pole Mounting Structure dimensions and details.



Forma-Tred Back Scaffold

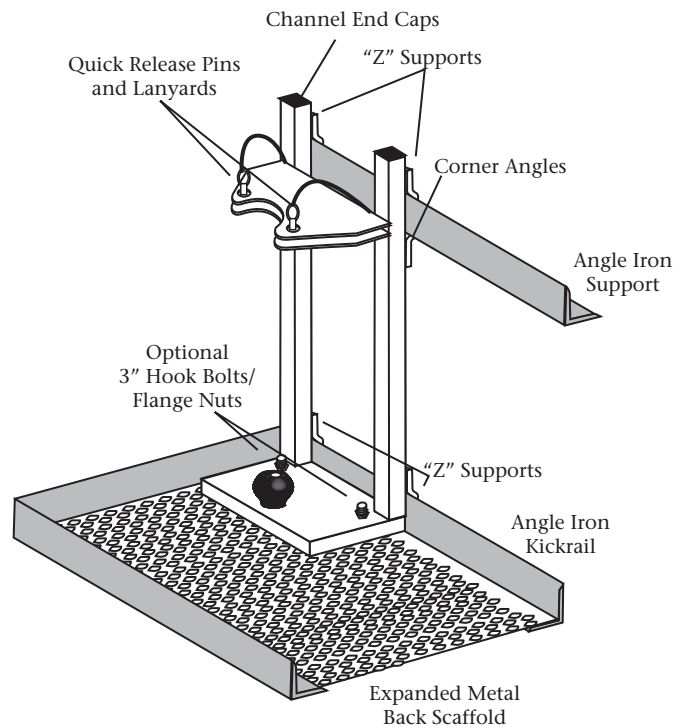
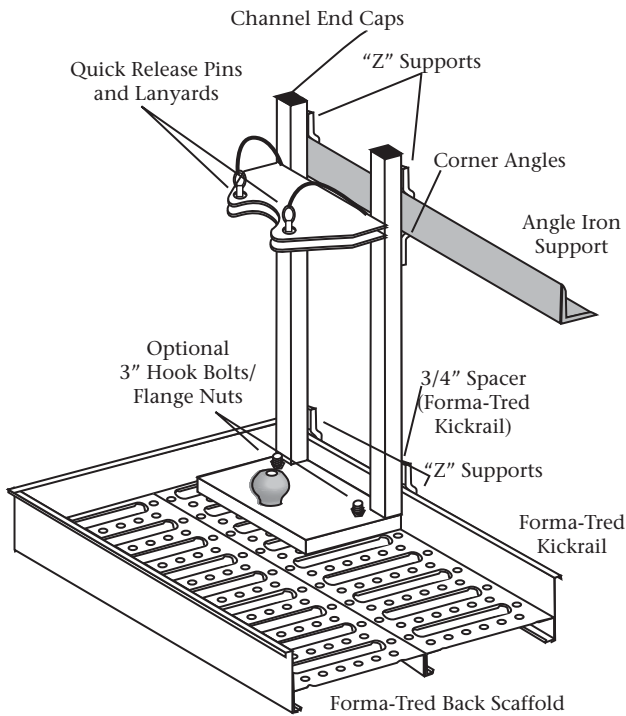


Forma-Tred Scaffold Back Walk



Expanded Metal Back Walk

TPI EZ-Hoist®



Place Pole Mounting Structure in place on either end of the back scaffold. Secure to upper angle iron support with Z Supports and Corner Angles. Secure to Forma-Tred Kickrail with Z Support and 3/4" spacers or to angle iron kickrail with Z Supports. *Preferred Option: secure the base of the Pole Mounting Structure to the scaffold with 2 - 3" Hook Bolts/Flange Nuts. Hook Bolts/Flange Nuts not included in kit*

With the Pole Mounting Structure securely mounted, place the end of the Pole over the ball and lift up to the vertical position. Remove the Quick Release Pins and slide the Plastic Hole/Bearing Ring into the slot. Re-insert the Quick Release Pins securing the Plastic Hole/Bearing Ring to the Structure. The TPI EZ-Hoist® is now ready for use.

When through, just remove the Quick Release Pins and lay the Pole down out of the way. Secure Pole to scaffold with ratchet straps.

